



FLORIDA FIRE SERVICE CATALOG

Volume 2



Welcome



About SEES

SEES was founded in 1977 by Richard and Verne Fitzgerald. Richard brought ten years experience in elevator service and construction to the business. Together, they built SEES into the largest independent manufacturer and supplier of replacement parts in the USA. In 2008, Ningbo SEES, our branch in Ningbo, China was established.

SEES has earned the reputation of being the company that offers the best solutions to all industry demands over the last forty years. We are now extending our innovation and superior quality trademark to the world of elevator fixtures.

“Our Mission is to become the BEST elevator parts company in the world by dedicating our resources, our talents and our energies, to help improve the elevator industry.”

**Open 5 days a week
8 a.m. to 7 p.m.
Orders Ship Same Day!**

Come Visit Our New Distribution Center

1150 W. McNab Road
Fort Lauderdale, FL 33309

Global Headquarters

2781 W. McNab Rd.
Pompano Beach, FL 33069

Tel: 800.526.0026 954.971.1115
Fax: 954.917.7337

www.SEESinc.com

Table of Contents

State Of Florida Uniform Key Program	1
Keys and Bezels	2
OEM Cylinders	5
Universal Key Switches	6
Dover Key Switches	7
SEES Line Alert	10
Otis/Westinghouse Key Switches	11
Innovation Key Switches	12
US/Monitor Control Key Switches	13
GAL Key Switches	14
Adams Key Switches	15
Payne/KONE Key Switches	16
Schindler Key Switches	17
Solutions SEES Fixtures	18
Emergency Power	19
Lock Boxes	21
Power Control	21
Latching Cylinder	21
Diagrams	22
Special Order Form	23
Uniform Key Application	24

We look forward to being of service!

SEES is proud to provide Volume 2 of our Florida Fire Service Catalog. In this edition you will find the solutions you need to comply with Florida Regional Emergency Elevator Access and Uniform Fire Safety Standards. Included in this catalog are the keys, mounting rings, bezels, cylinders, switches, power control, emergency power, and lock boxes, as well as the key application, and a new Special Order Form to make ordering hard to find products easier.

“Every Second Counts” when responding to fire and medical emergencies.

The Florida Uniform Elevator Key Program was adopted by the Florida State Legislature to give emergency responders faster access to buildings to help save lives. The statute is listed below:

Chapter 399 – Elevator Safety – 2009 Florida Statutes

399.15 Regional emergency elevator access.

(1) In order to provide emergency access to elevators:

(a) For each building in this state which is six or more stories in height, including, but not limited to, hotels and condominiums, on which a building permit is issued after September 30, 2006, all of the keys for elevators that allow public access, including, but not limited to, service and freight elevators, must be keyed so as to allow all elevators within each of the seven state emergency response regions to operate in fire emergency situations with one master elevator key.

(b) Any building in this state which is six or more stories in height and has undergone “substantial improvement” as defined in s. 161.54(12) must also comply with paragraph (a).

(2) Each existing building in this state which is six or more stories in height must comply with subsection (1) before October 1, 2009.

(3) In addition to elevator owners, owners’ agents, elevator contractors, state-certified inspectors, and state agency representatives, master elevator keys may be issued only to the fire department and may not be issued to any other emergency response agency. A person may not duplicate a master elevator key for issuance to, or issue such a key to, anyone other than authorized fire department personnel. Each master elevator key must be marked “DO NOT DUPLICATE.”

(4) If it is technically, financially, or physically impossible to bring a building into compliance with this section, the local fire marshal may allow substitute emergency measures that will provide reasonable emergency elevator access. The local fire marshal’s decision regarding substitute measures may be appealed to the State Fire Marshal. (See Rule Chapter No 69A-47.019)

(5) The Division of State Fire Marshal of the Department of Financial Services shall enforce this section. Any person who fails to comply with the requirements of this section is subject to an administrative fine of not more than \$1,000, in addition to any other penalty provided by law. All administrative fines shall be deposited into the Insurance Regulatory Trust Fund.

(6) Builders should make every effort to use new technology and developments in keying systems which make it possible to convert existing equipment so as to provide efficient regional emergency elevator access.

(7) The Department of Financial Services shall adopt rules to implement this section, including rules to determine the master elevator key to be used within each of the emergency response regions.

Lock Boxes

69A-47.019 Lockboxes.

(1) If the local fire official determines that it is technically, financially, or physically impossible to bring a building’s elevators into compliance with this rule, the local fire official may accept as an alternative the installation of a keyed lockbox that accepts the uniform key for that specific region. The lock box shall be installed in accordance with this section

(2) The local fire official’s decision regarding the alternative measure may be appealed to the State Fire Marshal whose decision shall constitute final agency action for purposes of Chapter 120, Florida Statutes. An appeal may be instituted by the appellant writing a letter to the Division of State Fire Marshal, Bureau of Fire Prevention, 200 East Gaines Street, Tallahassee, Florida 32399-0342.

(3) Alternative installation of Lock Boxes.

(a) The lock box is permitted to be installed flush or recessed mounted.

(b) The lock box’s front cover shall be hinged on the right side and shall be engraved or painted with the words “Fire Department Use Only – Elevator keys.”

(c) The lock box shall be mounted at each elevator bank at the lobby nearest to the lowest level of fire department access.

(d) Only keys used for the operation of the elevator or an elevator component shall be placed inside the lock box.

(4)(a) In buildings subject to these alternative lock box provisions which houses two or more different elevator banks, a single lock box may be used when such banks are separated by not more than 30 feet.

(b) In the buildings specified in paragraph (a) with elevators or elevator banks separated by more than 30 feet, separate lockboxes must be used for each elevator or elevator bank so separated.

Specific Authority 399.15 FS. Law Implemented 399.15 FS.

SEES....Bringing YOU the BEST...
Quality, Price and Service since 1977.
Always Smooth Sailing

State of Florida - Uniform Elevator Key Program

Every second counts when responding to fire and medical emergencies.

The Uniform Elevator Key Program was adopted by the Florida state legislature to give emergency responders faster access and to help save lives.

Specified under Section 399.15, Florida Administrative Code (FAC)

Florida UNIFORM ELEVATOR KEYS

Effective October 2009, all buildings 6 stories or more are required to work with a Uniform Elevator Key.



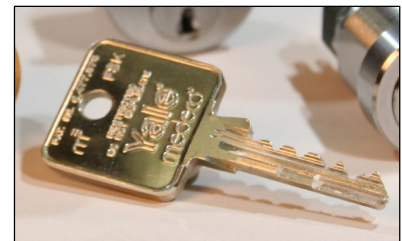
The state has established seven distinct regions for emergency management, each with their own unique key.

- Region 1:** (Yale Key No. R-80833-2006-1) – Escambia, Santa Rosa, Okaloosa, Walton, Holmes, Jackson, Washington, Bay, Gulf, Calhoun
- Region 2:** (Yale Key No. R-80833-2006-2) – Gadsden, Liberty, Leon, Franklin, Wakulla, Taylor, Jefferson, Madison, Lafayette, Hamilton, Suwannee, Columbia, Dixie
- Region 3:** (Yale Key No. R-80833-2006-3) – Nassau, Duval, Clay, St. Johns, Flagler, Putnam, Bradford, Union, Baker, Levy, Alachua, Gilchrist
- Region 4:** (Yale Key No. R-80833-2006-4) – Citrus, Hernando, Pasco, Pinellas, Hillsborough, Polk, Manatee
- Region 5:** (Yale Key No. R-80833-2006-5) – Marion, Sumter, Lake, Orange, Seminole, Osceola, Brevard, Volusia
- Region 6:** (Yale Key No. R-80833-2006-6) – Hardee, Sarasota, Desoto, Charlotte, Glades, Highland, Okeechobee, Hendry, Lee, Collier
- Region 7:** (Yale Key No. R-80833-2006-7) – Monroe, Miami-Dade, Broward, Palm Beach, Martin, St. Lucie, Indian River

Authorized Key Holders

Uniform Elevator Keys shall be made available ONLY to:

- Elevator owners and their authorized agents
- Elevator contractors authorized by the state of Florida
- Florida state certified inspectors
- State agency and local fire department representatives as identified under the Florida Administrative Code (FAC)



Key Holder Application and Order Form

Any person authorized under this rule to possess a uniform elevator key, can order keys using form DFS-K3-1660. The form can be found at <http://www.fldfs.com/SFM/>

Authorized Key Suppliers

A list of Authorized Suppliers for the Uniform Elevator Keys can be found on the State Fire Marshal's website at: [www.fldfs.com/SFM/pdf/ElevatorKeyVendorList\(2\).pdf](http://www.fldfs.com/SFM/pdf/ElevatorKeyVendorList(2).pdf)



Instructions on how to acquire the State Mandated Florida Fire Service Keys:

- 1) To purchase the new Uniform Elevator Key (Key Only), fill out a Florida State application, located on pg. 24
- 2) Fax completed application and order form to SEES (Southern Elevator & Electric Supply) at 954-917-7337. SEES is open Monday – Friday from 8:00 a.m. to 7:00 p.m. ET, and can be reached at 800-526-0026.

You do not need to fill out an application or seek approval to purchase the Key Cylinders, Fire Key Lock Box, Bezels, or any other miscellaneous parts. The Florida State Application is required only for the keys.

If you need a special or custom solution please call or fill out the form on pg.23 and we will work to help you.

FLORIDA FIRE KEYS

FFSK-1	R-80833-2006-1	Florida Fire Service Key Zone 1
FFSK-2	R-80833-2006-2	Florida Fire Service Key Zone 2
FFSK-3	R-80833-2006-3	Florida Fire Service Key Zone 3
FFSK-4	R-80833-2006-4	Florida Fire Service Key Zone 4
FFSK-5	R-80833-2006-5	Florida Fire Service Key Zone 5
FFSK-6	R-80833-2006-6	Florida Fire Service Key Zone 6
FFSK-7	R-80833-2006-7	Florida Fire Service Key Zone 7



***Application on page 24**

ASME A17.1a-2005 2.27.8 Switch Keys
The key switches required by 2.27.2 through 2.27.5 for all elevators in a building shall be operable by the same key. The keys shall be Group 3 Security. There shall be a key for each switch provided. These keys shall be kept on the premises in a location readily accessible to firefighters and emergency personnel, but not where they are available to the public.

UNIVERSAL BEZELS

2.25" OD X 1.15" ID

FFB-001	Florida Fire Bezel PHI (BYPASS-OFF-ON)
FFB-002	Florida Fire Bezel PHII (OFF-HOLD-ON)
FFB-003	Florida Fire Bezel PHI (RESET-OFF-ON)
FFB-004	Florida Fire Bezel PHI & PHII (OFF-ON)

***comes with FFBR-001 Adhesive Ring**

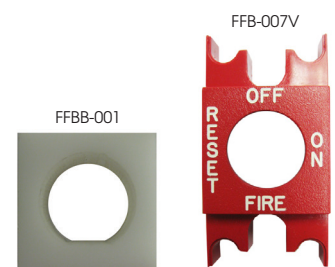


IMPULSE BEZELS

FFB-005H	Florida Fire Impulse PHI Horizontal, Square (BYPASS-OFF-ON)
FFB-005HR	Florida Fire Impulse PHI Horizontal, Round (BYPASS-OFF-ON)
FFB-005V	Florida Fire Impulse PHI Vertical, Square (BYPASS-OFF-ON)
FFB-005VR	Florida Fire Impulse PHI Vertical, Round (BYPASS-OFF-ON)
FFB-006H	Florida Fire Impulse PHII Horizontal, Square (OFF-HOLD-ON)
FFB-006HR	Florida Fire Impulse PHII Horizontal, Round (OFF-HOLD-ON)
FFB-006V	Florida Fire Impulse PHII Vertical, Square (OFF-HOLD-ON)
FFB-006VR	Florida Fire Impulse PHII Vertical, Round (OFF-HOLD-ON)
FFB-007H	Florida Fire Impulse PHI Horizontal, Square (RESET-OFF-ON)
FFB-007HR	Florida Fire Impulse PHI Horizontal, Round (RESET-OFF-ON)
FFB-007V	Florida Fire Impulse PHI Vertical, Square (RESET-OFF-ON)
FFB-007VR	Florida Fire Impulse PHI Vertical, Round (RESET-OFF-ON)
FFB-051H	Florida Fire Impulse Horizontal, Square (OFF-ON)
FFB-051HR	Florida Fire Impulse Horizontal, Round (OFF-ON)
FFB-052V	Florida Fire Impulse Vertical, Square (OFF-ON)
FFB-052VR	Florida Fire Impulse Vertical, Round (OFF-ON)

***square bezels come with FFBB-001 Backing**

***round bezels come with bracket and spacers**



FIRE SERVICE KEY FUNCTIONS

*** Means the key is removable in this position**

PHASE I	BYPASS	OFF	ON
HALL		*	*

PHASE II	OFF	HOLD	ON
CAR	*	*	*

*** Prior to the 2000 code, Special orders required for 3 key pull**

PHASE I	RESET	OFF	ON
HALL		*	*

*** After 2000**

PHASE II	OFF	HOLD	ON
CAR	*	*	

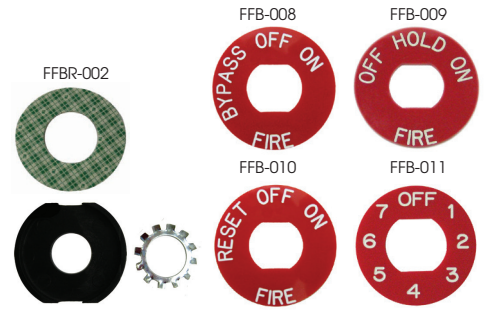
*** After 2000**



US BEZELS

FFB-008	Florida Fire US Bezel PHI, 1-3/4" OD (BYPASS-OFF-ON)
FFB-009	Florida Fire US Bezel PHII, 1-3/4" OD (OFF-HOLD-ON)
FFB-010	Florida Fire US Bezel PHI, 1-3/4" OD (RESET-OFF-ON)
FFB-011	Florida Fire US Bezel PHII 1-3/4" OD Emergency Power (OFF-1-7)
FFB-031	Florida Fire US Bezel (Power Control) 2 Position (OFF-ON)

*comes with FFBR-002 adhesive ring, backing and lock washer



TRADITIONAL BEZELS

FFB-012	Florida Fire Traditional Bezel PHI Horizontal (BYPASS-OFF-ON)
FFB-012V	Florida Fire Traditional Bezel PHI Vertical (BYPASS-OFF-ON)
FFB-013	Florida Fire Traditional Bezel PHII Horizontal (OFF-HOLD-ON)
FFB-013V	Florida Fire Traditional Bezel PHII Vertical (OFF-HOLD-ON)
FFB-014	Florida Fire Traditional Bezel PHI Horizontal (RESET-OFF-ON)
FFB-014V	Florida Fire Traditional Bezel PHI Vertical (RESET-OFF-ON)
FFB-012S	Florida Fire Traditional Bezel Horizontal (OFF-ON)
FFB-012VS	Florida Fire Traditional Bezel Vertical (OFF-ON)

*comes with universal mounting bracket



AURORA BEZELS

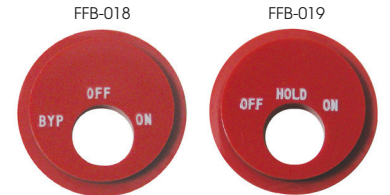
FFB-015	Florida Fire Aurora Bezel PHI (BYPASS-OFF-ON)
FFB-016	Florida Fire Aurora Bezel PHII (OFF-HOLD-ON)
FFB-017	Florida Fire Aurora Bezel PHI (RESET-OFF-ON)
FFB-053	Florida Fire Aurora Bezel (OFF-ON)

*comes with backing and lock washer



MONITOR CONTROL BEZELS

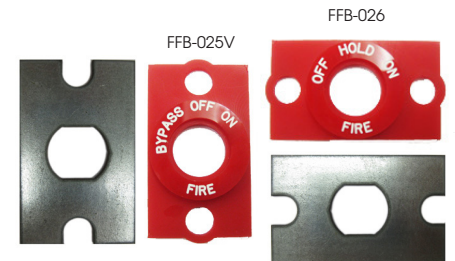
FFB-018	Florida Fire Monitor Control Bezel Round PHI (BYPASS-OFF-ON)
FFB-019	Florida Fire Monitor Control Bezel Round PHII (OFF-HOLD-ON)
FFB-020	Florida Fire Monitor Control Bezel Round PHI (RESET-OFF-ON)
FFB-054	Florida Fire Monitor Control Bezel Round (OFF-ON)



GAL BEZELS

FFB-025	Florida Fire GAL Bezel, Round PHI, Horizontal (BYPASS-OFF-ON)
FFB-025V	Florida Fire GAL Bezel, Round PHI, Vertical (BYPASS-OFF-ON)
FFB-026	Florida Fire GAL Bezel, Round PHII, Horizontal (OFF-HOLD-ON)
FFB-026V	Florida Fire GAL Bezel, Round PHII, Vertical (OFF-HOLD-ON)
FFB-027	Florida Fire GAL Bezel, Round PHI, Horizontal (RESET-OFF-ON)
FFB-027V	Florida Fire GAL Bezel, Round PHI, Vertical (RESET-OFF-ON)
FFB-049	Florida Fire GAL Bezel, Round, Horizontal (OFF-ON)
FFB-049V	Florida Fire GAL Bezel, Round, Vertical (OFF-ON)

*comes with mounting bracket



INNOVATION BEZELS

FFB-021	Florida Fire Innovation Bezel Round PHI (RESET-OFF-ON)
FFB-021A	Florida Fire Innovation Bezel Round PHI (BYPASS-OFF-ON)
FFB-022	Florida Fire Innovation Bezel Round PHII (OFF-HOLD-ON)
FFB-023	Florida Fire Innovation Bezel Square PHI (RESET-OFF-ON)
FFB-023A	Florida Fire Innovation Bezel Square PHI (BYPASS-OFF-ON)
FFB-024	Florida Fire Innovation Bezel Square PHII (OFF-HOLD-ON)
FFB-042	Florida Fire Innovation Bezel Round, 2 Position (OFF-ON)
FFB-042A	Florida Fire Innovation Bezel Square, 2 Position (OFF-ON)



ADAMS BEZELS

- FFB-032 Florida Fire Adams Bezel, Round PHI (BYPASS-OFF-ON)
- FFB-033 Florida Fire Adams Bezel, Round PHII (OFF-HOLD-ON)
- FFB-034 Florida Fire Adams Bezel, Round PHI (RESET-OFF-ON)
- FFB-056 Florida Fire Adams Bezel, Round (OFF-ON)
- FFB-062 Florida Fire Adams Bezel, Square PHI (BYPASS-OFF-ON)
- FFB-063 Florida Fire Adams Bezel, Square PHII (OFF-HOLD-ON)
- FFB-064 Florida Fire Adams Bezel, Square PHI (RESET-OFF-ON)
- FFB-065 Florida Fire Adams Bezel, Square (OFF-ON)



UNIVERSAL BEZELS

1-3/8" OD

- FFB-035 Florida Fire Universal Bezel (OFF-ON)
- FFB-036 Florida Fire Universal Bezel PHI (BYPASS-OFF-ON)
- FFB-037 Florida Fire Universal Bezel PHII (OFF-HOLD-ON)
- FFB-038 Florida Fire Universal Bezel PHI (RESET-OFF-ON)



*comes with backing and lock washer

WESTINGHOUSE BEZELS

- FFB-028 Florida Fire Westinghouse Bezel, PHI (BYPASS-OFF-ON)
- FFB-029 Florida Fire Westinghouse Bezel, PHII (OFF-HOLD-ON)
- FFB-030 Florida Fire Westinghouse Bezel, PHI (RESET-OFF-ON)
- FFB-055 Florida Fire Westinghouse Bezel (OFF-ON)



PAYNE BEZELS

- FFB-039 Florida Fire Payne Bezel, PHI (BYPASS-OFF-ON)
- FFB-040 Florida Fire Payne Bezel, PHII (OFF-HOLD-ON)
- FFB-041 Florida Fire Payne Bezel, PHI (RESET-OFF-ON)
- FFB-066 Florida Fire Payne Bezel (OFF-ON)



SCHINDLER CT BEZELS

- FFB-043 Florida Fire Schindler CT Bezel, PHI (BYPASS-OFF-ON)
- FFB-044 Florida Fire Schindler CT Bezel, PHII (OFF-HOLD-ON)
- FFB-045 Florida Fire Schindler CT Bezel, PHI (RESET-OFF-ON)
- FFB-057 Florida Fire Schindler CT Bezel (OFF-ON)

*comes with faceplate and bezel



SCHINDLER MTA BEZELS

- FFB-058 Florida Fire Schindler MTA Bezel, PHI (BYPASS-OFF-ON)
- FFB-059 Florida Fire Schindler MTA Bezel, PHII (OFF-HOLD-ON)
- FFB-060 Florida Fire Schindler MTA Bezel, PHI (RESET-OFF-ON)
- FFB-061 Florida Fire Schindler MTA Bezel (OFF-ON)

*comes with faceplate, bezel and bracket



KONE LEGEND BEZELS

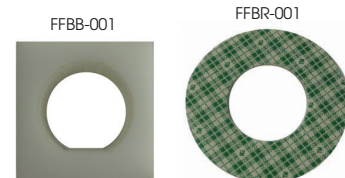
- FFB-046 Florida Fire Kone Legend Bezel, PHI (BYPASS-OFF-ON)
- FFB-047 Florida Fire Kone Legend Bezel, PHII (OFF-HOLD-ON)
- FFB-048 Florida Fire Kone Legend Bezel, PHI (RESET-OFF-ON)
- FFB-061 Florida Fire Kone Legend Bezel (OFF-ON)

*comes with bracket and hardware



MOUNTING RINGS

- FFBB-001 Backing "D" Shape for Impulse series
- FFBR-001 Adhesive Mounting Ring 2.25" OD x 1.125" ID
- FFBR-002 Adhesive Mounting Ring 1.175" OD x .9375" ID



OEM CYLINDER 3/4"

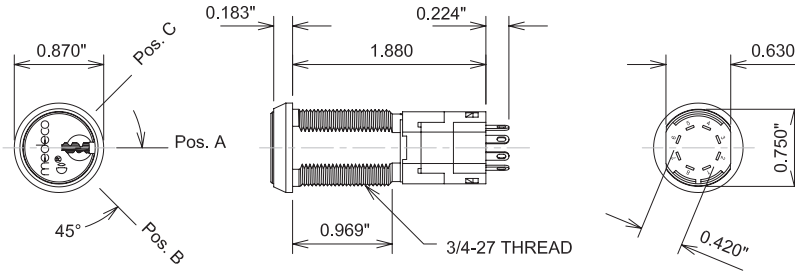
- FFOC-001** Florida Fire OEM Cylinder Key Switch 3/4", 2 Pos, 2 KP, Zone 1
Thru
- FFOC-007** Florida Fire OEM Cylinder Key Switch 3/4", 2 Pos, 2 KP, Zone 7
- FFOC-001S** Florida Fire OEM Cylinder Key Switch 3/4", 2 Pos, 1 KP, Zone 1
Thru
- FFOC-007S** Florida Fire OEM Cylinder Key Switch 3/4", 2 Pos, 1 KP, Zone 7
- FFOC-101** Florida Fire OEM Cylinder Key Switch 3/4", 3 Pos, 2 KP, PHI Zone 1
Thru
- FFOC-107** Florida Fire OEM Cylinder Key Switch 3/4" 3 Pos, 2 KP, PHI Zone 7
- FFOC-201** Florida Fire OEM Cylinder Key Switch 3/4" 3 Pos, 2 KP, PHII Zone 1
Thru
- FFOC-207** Florida Fire OEM Cylinder Key Switch 3/4" 3 Pos, 2 KP, PHII Zone 7



FFOC-101



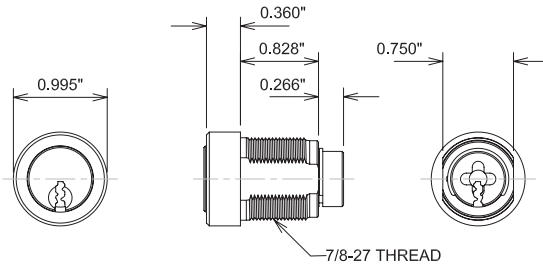
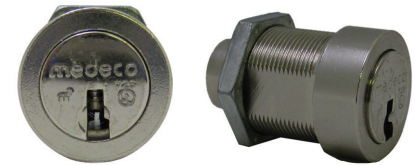
*All cylinders come pre-wired,
See wiring diagram on pg.22



OEM CYLINDER 7/8"

- FFOC-101A** Florida Fire OEM Cylinder Key Switch 7/8", 3 Pos, 2 KP, PHI Zone 1
Thru
- FFOC-107A** Florida Fire OEM Cylinder Key Switch 7/8", 3 Pos, 2 KP, PHI Zone 7
- FFOC-201A** Florida Fire OEM Cylinder Key Switch 7/8", 3 Pos, 2 KP, PHII Zone 1
Thru
- FFOC-207A** Florida Fire OEM Cylinder Key Switch 7/8", 3 Pos, 2 KP, PHII Zone 7

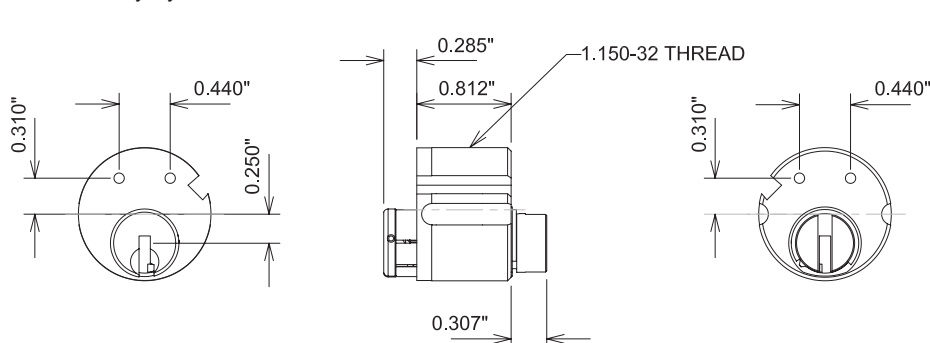
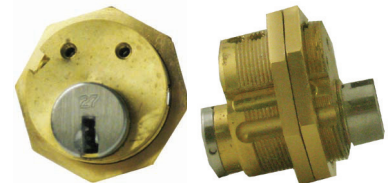
FFOC-101A



OEM KEY CYLINDER SERIES

- FFCY-101** OEM Key Cylinder, chrome face with bracket, 3 Pos, 2 KP, PHI Zone 1
Thru
- FFCY-107** OEM Key Cylinder, chrome face with bracket, 3 Pos, 2 KP, PHI Zone 7
- FFCY-201** OEM Key Cylinder, chrome face with bracket, 3 Pos, 2 KP, PHII Zone 1
Thru
- FFCY-207** OEM Key Cylinder, chrome face with bracket, 3 Pos, 2 KP, PHII Zone 7

FFCY-101



UNIVERSAL 3/4" KEY SWITCH SERIES

2 POSITION

FFUN-001 Universal Key Switch, 3/4", 2 Pos, 2KP (OFF-ON)
 Thru
FFUN-007 Universal Key Switch, 3/4", 2 Pos, 2KP (OFF-ON)

FFUN-001S Universal Key Switch, 3/4", 2 Pos, 1KP (OFF-ON)
 Thru
FFUN-007S Universal Key Switch, 3/4", 2 Pos, 1KP (OFF-ON)

PHASE I

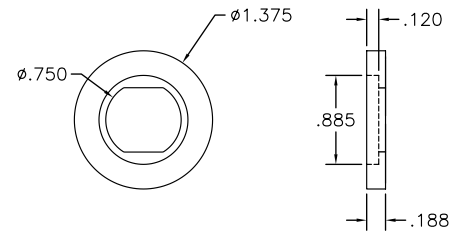
FFUN-101 Universal Key Switch, 3/4", 3 Pos, 2 KP, PHI, Zone 1 (BYPASS-OFF-ON)
 Thru
FFUN-107 Universal Key Switch, 3/4", 3 Pos, 2 KP, PHI, Zone 7 (BYPASS-OFF-ON)

FFUN-101A Universal Key Switch, 3/4", 3 Pos, 2 KP, PHI, Zone 1 (RESET-OFF-ON)
 Thru
FFUN-107A Universal Key Switch, 3/4", 3 Pos, 2 KP, PHI, Zone 7 (RESET-OFF-ON)

PHASE II

FFUN-201 Universal Key Switch, 3/4", 3 Pos, 2 KP, PHII, Zone 1 (OFF-HOLD-ON)
 Thru
FFUN-207 Universal Key Switch, 3/4", 3 Pos, 2 KP, PHII, Zone 7 (OFF-HOLD-ON)

FFUN-SPECIAL Florida Fire Universal Key Switch, 3/4", Specify Markings, Key Pull and Key Position, See Order Form on pg. 23



UNIVERSAL KEY SWITCH SERIES

2 POSITION

FLSW-001A Universal Key Cylinder, 2 Pos, with bezel PHI & PHII, Zone 1 (ON-OFF)
 Thru
FLSW-007A Universal Key Cylinder, 2 Pos, with bezel PHI & PHII, Zone 7 (ON-OFF)

PHASE I

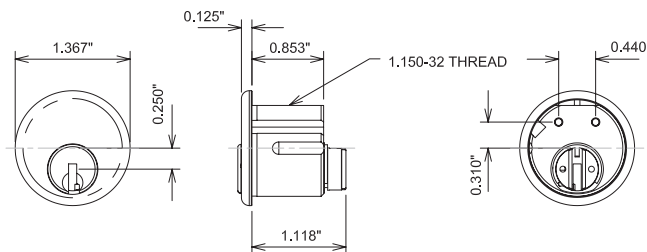
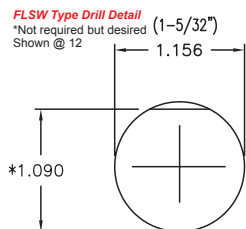
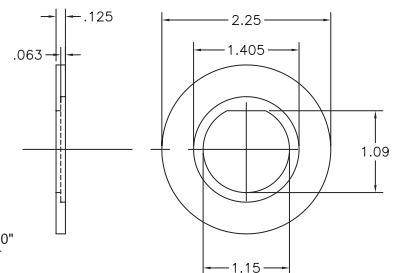
FLSW-101 Universal Key Cylinder, 3 Pos, 2 KP, with bezel PHI, Zone 1 (BYPASS-OFF-ON)
 Thru
FLSW-107 Universal Key Cylinder, 3 Pos, 2 KP, with bezel PHI, Zone 7 (BYPASS-OFF-ON)

FLSW-101A Universal Key Cylinder, 3 Pos, 2KP, with bezel PHI, Zone 1 (RESET-OFF-ON)
 Thru
FLSW-107A Universal Key Cylinder, 3 Pos, 2KP, with bezel PHI, Zone 7 (RESET-OFF-ON)

PHASE II

FLSW-201 Universal Key Cylinder 3 Pos, 2KP, with bezel PHII, Zone 1 (OFF-HOLD-ON)
 Thru
FLSW-207 Universal Key Cylinder 3 Pos, 2KP, with bezel PHII, Zone 7 (OFF-HOLD-ON)

FLSW-SPECIAL Florida Fire Universal Key Switch, Specify Markings, Key Pull and Key Position, See Order Form on pg. 23



DOVER TRADITIONAL KEY SWITCH SERIES

2 POSITION

FFTR-001H Florida Fire Dover Traditional Style Key Switch Assembly Zone 1
Thru 2 Pos, 2 KP, Horizontal (OFF-ON)

FFTR-007H Florida Fire Dover Traditional Style Key Switch Assembly Zone 7
2 Pos, 2 KP, Horizontal (OFF-ON)

FFTR-001V Florida Fire Dover Traditional Style Key Switch Assembly Zone 1
Thru 2 Pos, 2 KP, Vertical (OFF-ON)

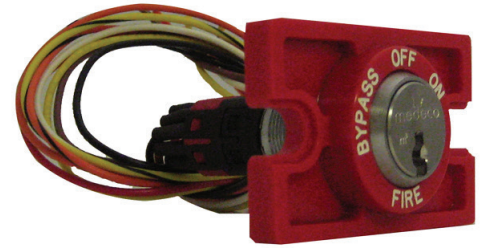
FFTR-007V Florida Fire Dover Traditional Style Key Switch Assembly Zone 7
2 Pos, 2 KP, Vertical (OFF-ON)

FFTR-001HS Florida Fire Dover Traditional Style Key Switch Assembly Zone 1
Thru 2 Pos, 1 KP, Horizontal (OFF-ON)

FFTR-007HS Florida Fire Dover Traditional Style Key Switch Assembly Zone 7
2 Pos, 1 KP, Horizontal (OFF-ON)

FFTR-001VS Florida Fire Dover Traditional Style Key Switch Assembly Zone 1
Thru 2 Pos, 1 KP, Vertical (OFF-ON)

FFTR-007VS Florida Fire Dover Traditional Style Key Switch Assembly Zone 7
2 Pos, 1 KP, Vertical (OFF-ON)



PHASE I

FFTR-101H Florida Fire Dover Traditional Style Key Switch Assembly PHI Zone 1
Thru 3 Pos, 2 KP, Horizontal (BYPASS-OFF-ON)

FFTR-107H Florida Fire Dover Traditional Style Key Switch Assembly PHI Zone 7
3 Pos, 2 KP, Horizontal (BYPASS-OFF-ON)

FFTR-101V Florida Fire Dover Traditional Style Key Switch Assembly PHI Zone 1
Thru 3 Pos, 2 KP, Vertical (BYPASS-OFF-ON)

FFTR-107V Florida Fire Dover Traditional Style Key Switch Assembly PHI Zone 7
3 Pos, 2 KP, Vertical (BYPASS-OFF-ON)

FFTR-101HA Florida Fire Dover Traditional Style Key Switch Assembly PHI Zone 1
Thru 3 Pos, 2 KP, Horizontal (RESET-OFF-ON)

FFTR-107HA Florida Fire Dover Traditional Style Key Switch Assembly PHI Zone 7
3 Pos, 2 KP, Horizontal (RESET-OFF-ON)

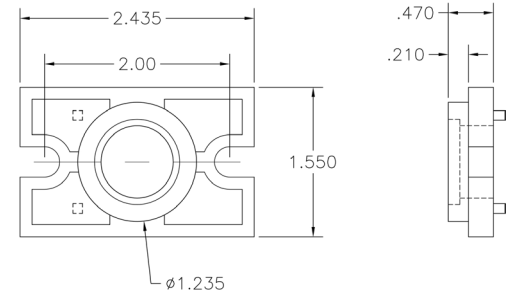
FFTR-101VA Florida Fire Dover Traditional Style Key Switch Assembly PHI Zone 1
Thru 3 Pos, 2 KP, Vertical (RESET-OFF-ON)

FFTR-107VA Florida Fire Dover Traditional Style Key Switch Assembly PHI Zone 7
3 Pos, 2 KP, Vertical (RESET-OFF-ON)

FFTR-005H



FFTR-101H



PHASE II

FFTR-201H Florida Fire Dover Traditional Style Key Switch Assembly PHII Zone 1
Thru 3 Pos, 2 KP, Horizontal (OFF-HOLD-ON)

FFTR-207H Florida Fire Dover Traditional Style Key Switch Assembly PHII Zone 7
3 Pos, 2 KP, Horizontal (OFF-HOLD-ON)

FFTR-201V Florida Fire Dover Traditional Style Key Switch Assembly PHII Zone 1
Thru 3 Pos, 2 KP, Vertical (OFF-HOLD-ON)

FFTR-207V Florida Fire Dover Traditional Style Key Switch Assembly PHII Zone 7
3 Pos, 2 KP, Vertical (OFF-HOLD-ON)

FFTR-SPECIAL Florida Fire Dover Traditional Key Switch Assembly, Specify Markings,
Key Pull and Key Position, See Order Form on pg. 23



DOVER IMPULSE SQUARE KEY SWITCH SERIES

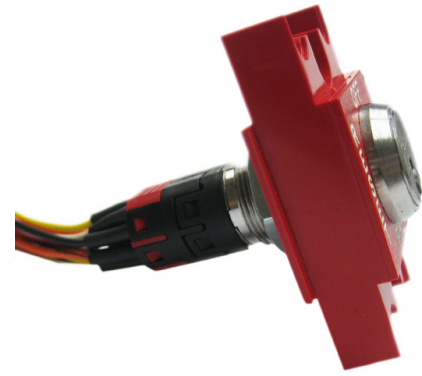
2 POSITION

FFIS-001H Florida Fire Dover Impulse Key Switch Assembly Zone 1
2 Pos, 2 KP, Horizontal (OFF-ON)
Thru

FFIS-007H Florida Fire Dover Impulse Key Switch Assembly Zone 7
2 Pos, 2 KP, Horizontal (OFF-ON)

FFIS-001V Florida Fire Dover Impulse Key Switch Assembly Zone 1
2 Pos, 2 KP, Vertical (OFF-ON)
Thru

FFIS-007V Florida Fire Dover Impulse Key Switch Assembly Zone 7
2 Pos, 2 KP, Vertical (OFF-ON)



PHASE I

FFIS-101H Florida Fire Dover Impulse Key Switch Assembly PHI Zone 1
3 Pos, 2 KP, Horizontal (BYPASS-OFF-ON)
Thru

FFIS-107H Florida Fire Dover Impulse Key Switch Assembly PHI Zone 7
3 Pos, 2 KP, Horizontal (BYPASS-OFF-ON)

FFIS-101V Florida Fire Dover Impulse Key Switch Assembly PHI Zone 1
3 Pos, 2 KP, Vertical (BYPASS-OFF-ON)
Thru

FFIS-107V Florida Fire Dover Impulse Key Switch Assembly PHI Zone 7
3 Pos, 2 KP, Vertical (BYPASS-OFF-ON)

FFIS-101HA Florida Fire Dover Impulse Key Switch Assembly PHI Zone 1
3 Pos, 2 KP, Horizontal (RESET-OFF-ON)
Thru

FFIS-107HA Florida Fire Dover Impulse Key Switch Assembly PHI Zone 7
3 Pos, 2 KP, Horizontal (RESET-OFF-ON)

FFIS-101VA Florida Fire Dover Impulse Key Switch Assembly PHI Zone 1
3 Pos, 2 KP, Vertical (RESET-OFF-ON)
Thru

FFIS-107VA Florida Fire Dover Impulse Key Switch Assembly PHI Zone 7
3 Pos, 2 KP, Vertical (RESET-OFF-ON)



PHASE II

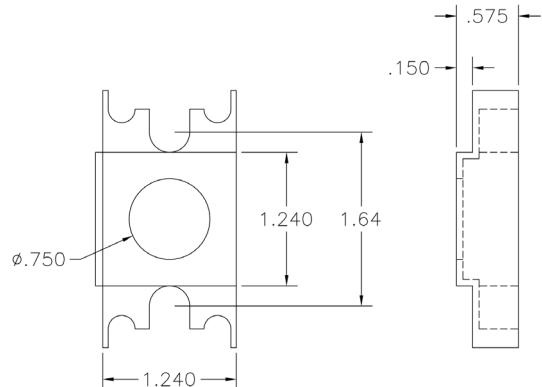
FFIS-201H Florida Fire Dover Impulse Key Switch Assembly PHII Zone 1
3 Pos, 2 KP, Horizontal (OFF-HOLD-ON)
Thru

FFIS-207H Florida Fire Dover Impulse Key Switch Assembly PHII Zone 7
3 Pos, 2 KP, Horizontal (OFF-HOLD-ON)

FFIS-201V Florida Fire Dover Impulse Key Switch Assembly PHII Zone 1
3 Pos, 2 KP, Vertical (OFF-HOLD-ON)
Thru

FFIS-207V Florida Fire Dover Impulse Key Switch Assembly PHII Zone 7
3 Pos, 2 KP, Vertical (OFF-HOLD-ON)

FFIS-SPECIAL Florida Fire Dover Impulse Key Switch, Specify Markings,
Key Pull and Key Position, See Order Form on pg. 23



DOVER IMPULSE ROUND KEY SWITCH SERIES

2 POSITION

FFISR-001H Florida Fire Dover Impulse Key Switch Assembly Zone 1
Thru 2 Pos, 2 KP, Horizontal (OFF-ON)

FFISR-007H Florida Fire Dover Impulse Key Switch Assembly Zone 7
2 Pos, 2 KP, Horizontal (OFF-ON)

FFISR-001V Florida Fire Dover Impulse Key Switch Assembly Zone 1
Thru 2 Pos, 2 KP, Vertical (OFF-ON)

FFISR-007V Florida Fire Dover Impulse Key Switch Assembly Zone 7
2 Pos, 2 KP, Vertical (OFF-ON)



PHASE I

FFISR-101H Florida Fire Dover Impulse Key Switch Assembly PHI Zone 1
Thru 3 Pos, 2 KP, Horizontal (BYPASS-OFF-ON)

FFISR-107H Florida Fire Dover Impulse Key Switch Assembly PHI Zone 7
3 Pos, 2 KP, Horizontal (BYPASS-OFF-ON)

FFISR-101V Florida Fire Dover Impulse Key Switch Assembly PHI Zone 1
Thru 3 Pos, 2 KP, Vertical (BYPASS-OFF-ON)

FFISR-107V Florida Fire Dover Impulse Key Switch Assembly PHI Zone 7
3 Pos, 2 KP, Vertical (BYPASS-OFF-ON)

FFISR-101HA Florida Fire Dover Impulse Key Switch Assembly PHI Zone 1
Thru 3 Pos, 2 KP, Horizontal (RESET-OFF-ON)

FFISR-107HA Florida Fire Dover Impulse Key Switch Assembly PHI Zone 7
3 Pos, 2 KP, Horizontal (RESET-OFF-ON)

FFISR-101VA Florida Fire Dover Impulse Key Switch Assembly PHI Zone 1
Thru 3 Pos, 2 KP, Vertical (RESET-OFF-ON)

FFISR-107VA Florida Fire Dover Impulse Key Switch Assembly PHI Zone 7
3 Pos, 2 KP, Vertical (RESET-OFF-ON)



PHASE II

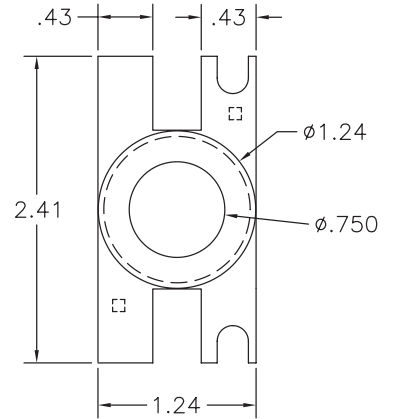
FFISR-201H Florida Fire Dover Impulse Key Switch Assembly PHII Zone 1
Thru 3 Pos, 2 KP, Horizontal (OFF-HOLD-ON)

FFISR-207H Florida Fire Dover Impulse Key Switch Assembly PHII Zone 7
3 Pos, 2 KP, Horizontal (OFF-HOLD-ON)

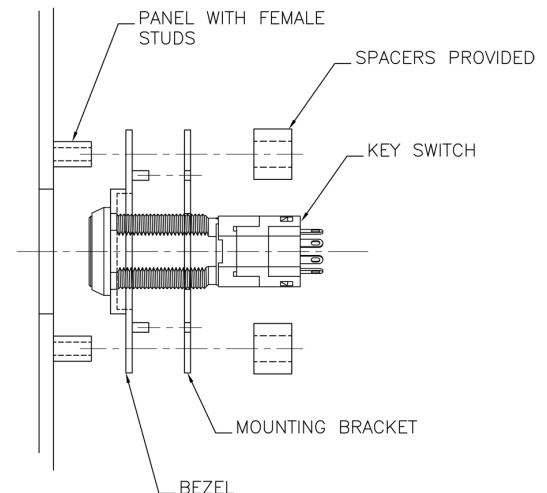
FFISR-201V Florida Fire Dover Impulse Key Switch Assembly PHII Zone 1
Thru 3 Pos, 2 KP, Vertical (OFF-HOLD-ON)

FFISR-207V Florida Fire Dover Impulse Key Switch Assembly PHII Zone 7
3 Pos, 2 KP, Vertical (OFF-HOLD-ON)

FFISR-SPECIAL Florida Fire Dover Impulse Key Switch Assembly, Specify Markings,
Key Pull and Key Position, See Order Form on pg. 23



FOR FEMALE STUDS
USE SPACERS PROVIDED



DOVER AURORA KEY SWITCH SERIES

2 POSITION

FFAU-001 Florida Fire Dover Aurora Switch Assembly Zone1
Thru 2 Pos, 2 KP, (OFF-ON)

FFAU-007 Florida Fire Dover Aurora Switch Assembly Zone7
2 Pos, 2 KP, (OFF-ON)

PHASE I

FFAU-101 Florida Fire Dover Aurora Switch Assembly PHI Zone1
Thru 3 Pos, 2KP (BYPASS-OFF-ON)

FFAU-107 Florida Fire Dover Aurora Switch Assembly PHI Zone7
3 Pos, 2KP (BYPASS-OFF-ON)

FFAU-101A Florida Fire Dover Aurora Switch Assembly PHI Zone1
Thru 3 Pos, 2KP (RESET-OFF-ON)

FFAU-107A Florida Fire Dover Aurora Switch Assembly PHI Zone7
3 Pos, 2KP (RESET-OFF-ON)

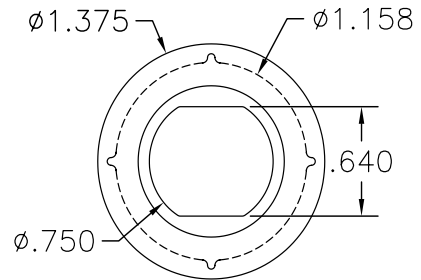
PHASE II

FFAU-201 Florida Fire Dover Aurora Switch Assembly PHII Zone1
Thru 3 Pos, 2KP (OFF-HOLD-ON)

FFAU-207 Florida Fire Dover Aurora Switch Assembly PHII Zone7
3 Pos, 2KP (OFF-HOLD-ON)

FFAU-SPECIAL Florida Fire Dover Aurora Key Switch, Specify Markings,
Key Pull and Key Position, See Order Form on pg. 23

FFAU-201



The SEES LINE ALERT is designed to detect faults and disruptions in telephone service. It provides visual and audible local alerts when a problem is detected by flashing red and sounding an alarm. Audible alerts can be silenced.

S.E.E.S. #	Description
SEES-PLV-001	SEES LINE ALERT , Phone Line Verification, Flush mount, 12-24 VDC
SEES-PLV-001A	SEES LINE ALERT , Flush Mount 12 VDC, Compact Design 5-3/4" x 7"
SEES-PLV-001D	SEES LINE ALERT , Flush Mount, Duplex Panel
SEES-PLV-002	SEES LINE ALERT , Phone Line Verification, Surface mount, 12-24 VDC
SEES-PLV-003	SEES LINE ALERT , Surface Mount 12 VDC, with Test Feature
SEES-PLV-PCB	SEES LINE ALERT , PLV PCB Only
SEES-PLV-LED	SEES LINE ALERT , Replacement LED only
SEES-PLV-BUZZER	SEES LINE ALERT , Replacement Buzzer only



SEES-PLV-001



SEES-PLV-003



SEES-PLV-LED



SEES-PLV-BUZZER

800.526.0026

Always Smooth Sailing with SEES

www.SEESSinc.com



OTIS KEY SWITCH SERIES

2 POSITION

FFOB-001 Florida Fire Otis Key Switch Assembly, Zone1
Thru 2 Pos, 2 KP, M1/Advanced Fixture (OFF-ON)

FFOB-007 Florida Fire Otis Key Switch Assembly, Zone7
2 Pos, 2 KP, M1/Advanced Fixture (OFF-ON)

PHASE I

FFOB-101 Florida Fire Otis Key Switch Assembly PHI Zone1
Thru 3 Pos, 2 KP, M1/Advanced Fixture (BYPASS-OFF-ON)

FFOB-107 Florida Fire Otis Key Switch Assembly PHI Zone7
3 Pos, 2 KP, M1/Advanced Fixture (BYPASS-OFF-ON)

FFOB-101A Florida Fire Otis Key Switch Assembly PHI Zone1
Thru 3 Pos, 2 KP, M1/Advanced Fixture (RESET-OFF-ON)

FFOB-107A Florida Fire Otis Key Switch Assembly PHI Zone7
3 Pos, 2 KP, M1/Advanced Fixture (RESET-OFF-ON)

PHASE II

FFOB-201 Florida Fire Otis Key Switch Assembly PHII Zone1
Thru 3 Pos, 2 KP, M1/Advanced Fixture (OFF-HOLD-ON)

FFOB-207 Florida Fire Otis Key Switch Assembly PHII Zone7
3 Pos, 2 KP, M1/Advanced Fixture (OFF-HOLD-ON)

FFOB-SPECIAL Florida Fire Otis Key Switch Assembly, Specify Markings,
Key Pull and Key Position, See Order Form on pg. 23



WESTINGHOUSE KEY SWITCH SERIES

2 POSITION

FFWB-001 Florida Fire Westinghouse Key Switch Assembly Zone 1
Thru 2 Pos, 2 KP, (OFF-ON)

FFWB-007 Florida Fire Westinghouse Key Switch Assembly Zone 7
2 Pos, 2 KP, (OFF-ON)

PHASE I

FFWB-101 Florida Fire Westinghouse Key Switch Assembly PHI Zone 1
Thru 3 Pos, 2 KP, (BYPASS-OFF-ON)

FFWB-107 Florida Fire Westinghouse Key Switch Assembly PHI Zone 7
3 Pos, 2 KP, (BYPASS-OFF-ON)

FFWB-101A Florida Fire Westinghouse Key Switch Assembly PHI Zone 1
Thru 3 Pos, 2 KP, (RESET-OFF-ON)

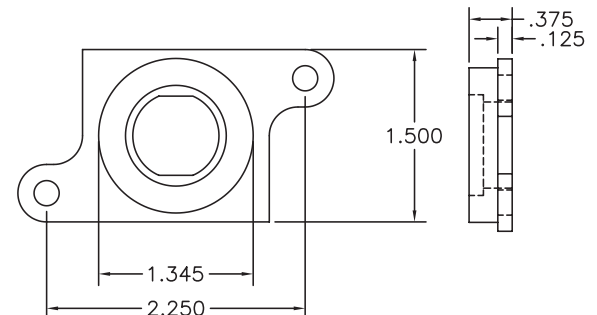
FFWB-107A Florida Fire Westinghouse Key Switch Assembly PHI Zone 7
3 Pos, 2 KP, (RESET-OFF-ON)

PHASE II

FFWB-201 Florida Fire Westinghouse Key Switch Assembly PHII Zone 1
Thru 3 Pos, 2 KP, (OFF-HOLD-ON)

FFWB-207 Florida Fire Westinghouse Key Switch Assembly PHII Zone 7
3 Pos, 2 KP, (OFF-HOLD-ON)

FFWB-SPECIAL Florida Fire Westinghouse Key Switch Assembly, Specify Marking
Key Pull and Key Position, See Order Form on pg. 23



INNOVATION ROUND KEY SWITCH SERIES

* Each key switch can mount horizontal or vertical (both brackets provided)

2 POSITION

FFIN-001 Florida Fire Innovation Key Switch Assembly Zone 1
Thru
2 Pos, 2 KP, (OFF-ON)

FFIN-007 Florida Fire Innovation Key Switch Assembly Zone 7
2 Pos, 2 KP, (OFF-ON)

PHASE I

FFIN-101 Florida Fire Innovation Key Switch Assembly PHI Zone 1
Thru
3 Pos, 2 KP, (BYPASS-OFF-ON)

FFIN-107 Florida Fire Innovation Key Switch Assembly PHI Zone 7
3 Pos, 2 KP, (BYPASS-OFF-ON)

FFIN-101A Florida Fire Innovation Key Switch Assembly PHI Zone 1
Thru
3 Pos, 2 KP, (RESET-OFF-ON)

FFIN-107A Florida Fire Innovation Key Switch Assembly PHI Zone 7
3 Pos, 2 KP, (RESET-OFF-ON)

PHASE II

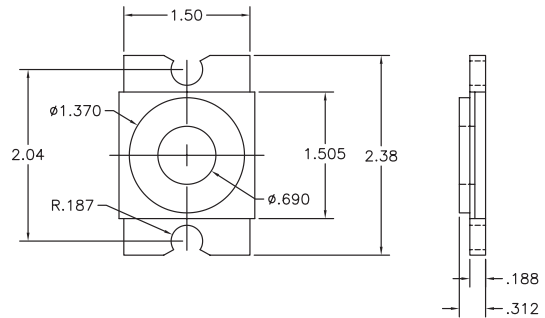
FFIN-201 Florida Fire Innovation Key Switch Assembly PHII Zone 1
Thru
3 Pos, 2 KP, (OFF-HOLD-ON)

FFIN-207 Florida Fire Innovation Key Switch Assembly PHII Zone 7
3 Pos, 2 KP, (OFF-HOLD-ON)

FFIN-SPECIAL Florida Fire Innovation Key Switch Assembly, Specify Marking
Key Pull and Key Position, See Order Form on pg. 23

*Innovation key Switches will fit most EPCO applications

FFIN-201



INNOVATION SQUARE KEY SWITCH SERIES

* Each key switch can mount horizontal or vertical (both brackets provided)

2 POSITION

FFIN-001S Florida Fire Innovation Key Switch Assembly Zone 1
Thru
2 Pos, 2 KP, (OFF-ON)

FFIN-007S Florida Fire Innovation Key Switch Assembly Zone 7
2 Pos, 2 KP, (OFF-ON)

PHASE I

FFIN-101S Florida Fire Innovation Key Switch Assembly PHI Zone 1
Thru
3 Pos, 2 KP, (BYPASS-OFF-ON)

FFIN-107S Florida Fire Innovation Key Switch Assembly PHI Zone 7
3 Pos, 2 KP, (BYPASS-OFF-ON)

FFIN-101AS Florida Fire Innovation Key Switch Assembly PHI Zone 1
Thru
3 Pos, 2 KP, (RESET-OFF-ON)

FFIN-107AS Florida Fire Innovation Key Switch Assembly PHI Zone 7
3 Pos, 2 KP, (RESET-OFF-ON)

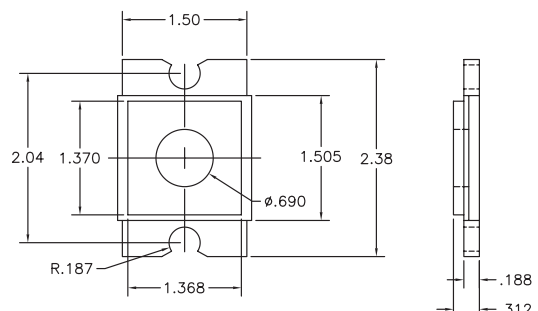
PHASE II

FFIN-201S Florida Fire Innovation Key Switch Assembly PHII Zone 1
Thru
3 Pos, 2 KP, (OFF-HOLD-ON)

FFIN-207S Florida Fire Innovation Key Switch Assembly PHII Zone 7
3 Pos, 2 KP, (OFF-HOLD-ON)

FFIN-SPECIAL Florida Fire Innovation Key Switch Assembly, Specify Markings
Key Pull and Key Position, See Order Form on pg. 23

FFIN-101AS



US KEY SWITCH SERIES

*Use FFPS-001 thru 007 for 2 Position, 2Key Pull

2 POSITION

FFPS-001 Florida Fire US Key Switch Assembly Zone 1
Thru
2 Pos, 2 KP (OFF-ON)

FFPS-007 Florida Fire US Key Switch Assembly Zone 7
2 Pos, 2 KP (OFF-ON)

PHASE I

FFUS-101 Florida Fire US Key Switch Assembly PHI Zone 1
Thru
3 Pos, 2 KP (BYPASS-OFF-ON)

FFUS-107 Florida Fire US Key Switch Assembly PHI Zone 7
3 Pos, 2 KP (BYPASS-OFF-ON)

FFUS-101A Florida Fire US Key Switch Assembly PHI Zone 1
Thru
3 Pos, 2 KP (RESET-OFF-ON)

FFUS-107A Florida Fire US Key Switch Assembly PHI Zone 7
3 Pos, 2 KP (RESET-OFF-ON)

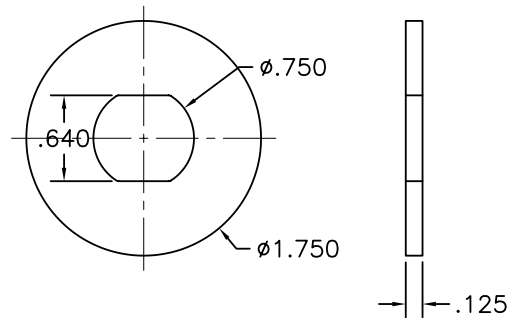
PHASE II

FFUS-201 Florida Fire US Key Switch Assembly PHII Zone 1
Thru
3 Pos, 2 KP (OFF-HOLD-ON)

FFUS-207 Florida Fire US Key Switch Assembly PHII Zone 7
3 Pos, 2 KP (OFF-HOLD-ON)

FFUS-SPECIAL Florida Fire US Key Switch Assembly, Specify Markings,
Key Pull and Key Position, See Order Form on pg. 23

FFUS-101



MONITOR CONTROL KEY SWITCH SERIES

2 POSITION

FFMC-001 Florida Fire Monitor Control Key Switch Assembly Zone 1
Thru
2 Pos, 2 KP (OFF-ON)

FFMC-007 Florida Fire Monitor Control Key Switch Assembly Zone 7
2 Pos, 2 KP (OFF-ON)

PHASE I

FFMC-101 Florida Fire Monitor Control Key Switch Assembly PHI Zone 1
Thru
3 Pos, 2 KP (BYPASS-OFF-ON)

FFMC-107 Florida Fire Monitor Control Key Switch Assembly PHI Zone 7
3 Pos, 2 KP (BYPASS-OFF-ON)

FFMC-101A Florida Fire Monitor Control Key Switch Assembly PHI Zone 1
Thru
3 Pos, 2 KP (RESET-OFF-ON)

FFMC-107A Florida Fire Monitor Control Key Switch Assembly PHI Zone 7
3 Pos, 2 KP (RESET-OFF-ON)

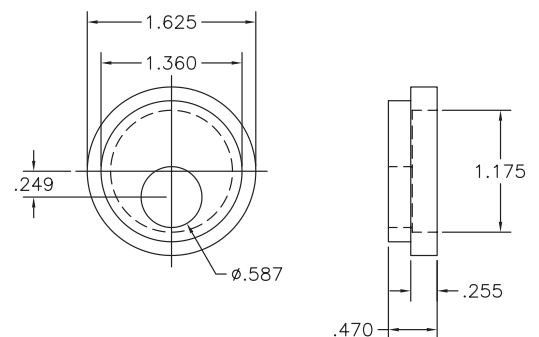
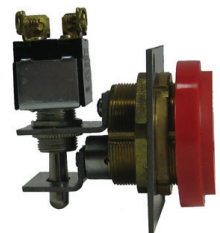
PHASE II

FFMC-201 Florida Fire Monitor Control Key Switch Assembly PHII Zone 1
Thru
3 Pos, 2 KP (OFF-HOLD-ON)

FFMC-207 Florida Fire Monitor Control Key Switch Assembly PHII Zone 7
3 Pos, 2 KP (OFF-HOLD-ON)

FFMC-SPECIAL Florida Fire Monitor Control Key Switch Assembly, Specify Markings,
Key Pull and Key Position, See Order Form on pg. 23

FFMC-101



GAL KEY SWITCH SERIES

2 POSITION

FFGK-001H Florida Fire GAL Key Switch Assembly Zone1
2 Pos, 2 KP, Horizontal (OFF-ON)
Thru

FFGK-007H Florida Fire GAL Key Switch Assembly Zone7
2 Pos, 2 KP, Horizontal (OFF-ON)

FFGK-001V Florida Fire GAL Key Switch Assembly Zone1
2 Pos, 2 KP, Vertical (OFF-ON)
Thru

FFGK-007V Florida Fire GAL Key Switch Assembly Zone7
2 Pos, 2 KP, Vertical (OFF-ON)

PHASE I

FFGK-101H Florida Fire GAL Key Switch Assembly PHI Zone1
3 Pos, 2 KP, Horizontal (BYPASS-OFF-ON)
Thru

FFGK-107H Florida Fire GAL Key Switch Assembly PHI Zone7
3 Pos, 2 KP, Horizontal (BYPASS-OFF-ON)

FFGK-101HA Florida Fire GAL Key Switch Assembly PHI Zone1
3 Pos, 2 KP, Horizontal (RESET-OFF-ON)
Thru

FFGK-107HA Florida Fire GAL Key Switch Assembly PHI Zone7
3 Pos, 2 KP, Horizontal (RESET-OFF-ON)

FFGK-101V Florida Fire GAL Key Switch Assembly PHI Zone1
3 Pos, 2 KP, Vertical (BYPASS-OFF-ON)
Thru

FFGK-107V Florida Fire GAL Key Switch Assembly PHI Zone7
3 Pos, 2 KP, Vertical (BYPASS-OFF-ON)

FFGK-101VA Florida Fire GAL Key Switch Assembly PHI Zone1
3 Pos, 2 KP, Vertical (RESET-OFF-ON)
Thru

FFGK-107VA Florida Fire GAL Key Switch Assembly PHI Zone7
3 Pos, 2 KP, Vertical (RESET-OFF-ON)

PHASE II

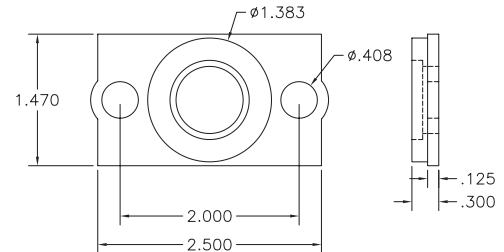
FFGK-201H Florida Fire GAL Key Switch Assembly PHII Zone1
3 Pos, 2 KP, Horizontal (OFF-HOLD-ON)
Thru

FFGK-207H Florida Fire GAL Key Switch Assembly PHII Zone7
3 Pos, 2 KP, Horizontal (OFF-HOLD-ON)

FFGK-201V Florida Fire GAL Key Switch Assembly PHII Zone1
3 Pos, 2 KP, Vertical (OFF-HOLD-ON)
Thru

FFGK-207V Florida Fire GAL Key Switch Assembly PHII Zone7
3 Pos, 2 KP, Vertical (OFF-HOLD-ON)

FFGK-SPECIAL Florida Fire GAL Key Switch Assembly, Specify Markings,
Key Pull and Key Position, See Order Form on pg. 23



FFGK-101V



ADAMS SURVIVOR ROUND KEY SWITCH SERIES

2 POSITION

- FFAD-001** Florida Fire Adams Survivor Key Switch Assembly Zone1
2 Pos, 2 KP, (OFF-ON)
Thru
- FFAD-007** Florida Fire Adams Survivor Key Switch Assembly Zone7
2 Pos, 2 KP, (OFF-ON)

PHASE I

- FFAD-101** Florida Fire Adams Survivor Key Switch Assembly PHI Zone1
3 Pos, 2KP (BYPASS-OFF-ON)
Thru
- FFAD-107** Florida Fire Adams Survivor Key Switch Assembly PHI Zone7
3 Pos, 2KP (BYPASS-OFF-ON)

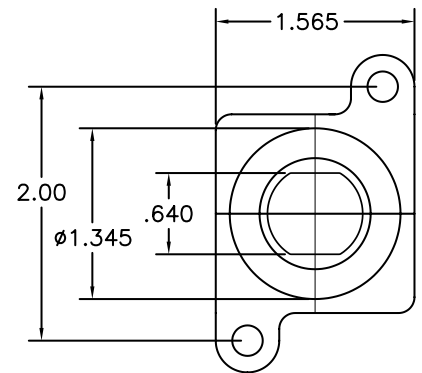
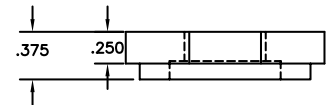
- FFAD-101A** Florida Fire Adams Survivor Key Switch Assembly PHI Zone1
3 Pos, 2KP (RESET-OFF-ON)
Thru

- FFAD-107A** Florida Fire Adams Survivor Key Switch Assembly PHI Zone7
3 Pos, 2KP (RESET-OFF-ON)

PHASE II

- FFAD-201** Florida Fire Adams Survivor Key Switch Assembly PHII Zone1
3 Pos, 2KP (OFF-HOLD-ON)
Thru
- FFAD-207** Florida Fire Adams Survivor Key Switch Assembly PHII Zone7
3 Pos, 2KP (OFF-HOLD-ON)

- FFAD-SPECIAL** Florida Fire Adams Survivor Key Switch Assembly, Specify Markings,
Key Pull and Key Position, See Order Form in Back



ADAMS SURVIVOR SQUARE KEY SWITCH SERIES

- FFADS-001** Florida Fire Adams Survivor Key Switch Assembly Zone1
2 Pos, 2 KP, (OFF-ON)
Thru
- FFADS-007** Florida Fire Adams Survivor Key Switch Assembly Zone7
2 Pos, 2 KP, (OFF-ON)

PHASE I

- FFADS-101** Florida Fire Adams Survivor Key Switch Assembly PHI Zone1
3 Pos, 2KP (BYPASS-OFF-ON)
Thru
- FFADS-107** Florida Fire Adams Survivor Key Switch Assembly PHI Zone7
3 Pos, 2KP (BYPASS-OFF-ON)

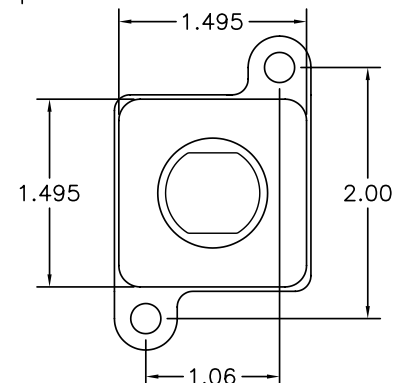
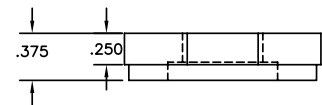
- FFADS-101A** Florida Fire Adams Survivor Key Switch Assembly PHI Zone1
3 Pos, 2KP (RESET-OFF-ON)
Thru

- FFADS-107A** Florida Fire Adams Survivor Key Switch Assembly PHI Zone7
3 Pos, 2KP (RESET-OFF-ON)

PHASE II

- FFADS-201** Florida Fire Adams Survivor Key Switch Assembly PHII Zone1
3 Pos, 2KP (OFF-HOLD-ON)
Thru
- FFADS-207** Florida Fire Adams Survivor Key Switch Assembly PHII Zone7
3 Pos, 2KP (OFF-HOLD-ON)

- FFADS-SPECIAL** Florida Fire Adams Survivor Key Switch Square Assembly, Specify Markings,
Key Pull and Key Position, See Order Form on pg. 23



PAYNE KEY SWITCH SERIES

2 POSITION

FFPN-001 Florida Fire Payne Key Switch Assembly Zone1
2 Pos, 2 KP, (OFF-ON)
Thru

FFPN-007 Florida Fire Payne Key Switch Assembly Zone7
2 Pos, 2 KP, (OFF-ON)

PHASE I

FFPN-101 Florida Fire Payne Key Switch Assembly PHI Zone1
3 Pos, 2KP (BYPASS-OFF-ON)
Thru

FFPN-107 Florida Fire Payne Key Switch Assembly PHI Zone7
3 Pos, 2KP (BYPASS-OFF-ON)

FFPN-101A Florida Fire Payne Key Switch Assembly PHI Zone1
3 Pos, 2KP (RESET-OFF-ON)
Thru

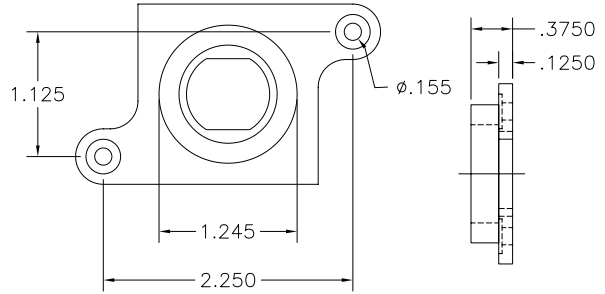
FFPN-107A Florida Fire Payne Key Switch Assembly PHI Zone7
3 Pos, 2KP (RESET-OFF-ON)

PHASE II

FFPN-201 Florida Fire Payne Key Switch Assembly PHII Zone1
3 Pos, 2KP (OFF-HOLD-ON)
Thru

FFPN-207 Florida Fire Payne Key Switch Assembly PHII Zone7
3 Pos, 2KP (OFF-HOLD-ON)

FFPN-SPECIAL Florida Fire Payne Key Switch Assembly, Specify Markings,
Key Pull and Key Position, See Order Form on pg. 23



KONE LEGEND KEY SWITCH SERIES

2 POSITION

FFKN-001 Florida Fire Kone Legend Key Switch Assembly Zone1
2 Pos, 2 KP (OFF-ON)
Thru

FFKN-007 Florida Fire Kone Legend Key Switch Assembly Zone7
2 Pos, 2 KP (OFF-ON)

PHASE I

FFKN-101 Florida Fire Kone Legend Key Switch Assembly PHI Zone1
3 Pos, 2KP (BYPASS-OFF-ON)
Thru

FFKN-107 Florida Fire Kone Legend Key Switch Assembly PHI Zone7
3 Pos, 2KP (BYPASS-OFF-ON)

FFKN-101A Florida Fire Kone Legend Key Switch Assembly PHI Zone1
3 Pos, 2KP (RESET-OFF-ON)
Thru

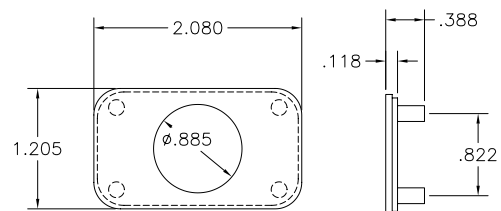
FFKN-107A Florida Fire Kone Legend Key Switch Assembly PHI Zone7
3 Pos, 2KP (RESET-OFF-ON)

PHASE II

FFKN-201 Florida Fire Kone Legend Key Switch Assembly PHII Zone1
3 Pos, 2KP (OFF-HOLD-ON)
Thru

FFKN-207 Florida Fire Kone Legend Key Switch Assembly PHII Zone7
3 Pos, 2KP (OFF-HOLD-ON)

FFPN-SPECIAL Florida Fire Kone Legend Key Switch Assembly, Specify Markings,
Key Pull and Key Position, See Order Form on pg. 23



SCHINDLER CT KEY SWITCH SERIES

2 POSITION

FFSCH-001 Florida Fire Schindler CT Key Switch Assembly Zone1
Thru 2 Pos, 2 KP (OFF-ON)

FFSCH-007 Florida Fire Schindler CT Key Switch Assembly Zone7
2 Pos, 2 KP (OFF-ON)

FFSCH-001S Florida Fire Schindler CT Key Switch Assembly Zone1
Thru 2 Pos, 1 KP (OFF-ON)

FFSCH-007S Florida Fire Schindler CT Key Switch Assembly Zone7
2 Pos, 1 KP (OFF-ON)

PHASE I

FFSCH-101 Florida Fire Schindler CT Key Switch Assembly PHI Zone1
Thru 3 Pos, 2KP (BYPASS-OFF-ON)

FFSCH-107 Florida Fire Schindler CT Key Switch Assembly PHI Zone7
3 Pos, 2KP (BYPASS-OFF-ON)

FFSCH-101A Florida Fire Schindler CT Key Switch Assembly PHI Zone1
Thru 3 Pos, 2KP (RESET-OFF-ON)

FFSCH-107A Florida Fire Schindler CT Key Switch Assembly PHI Zone7
3 Pos, 2KP (RESET-OFF-ON)

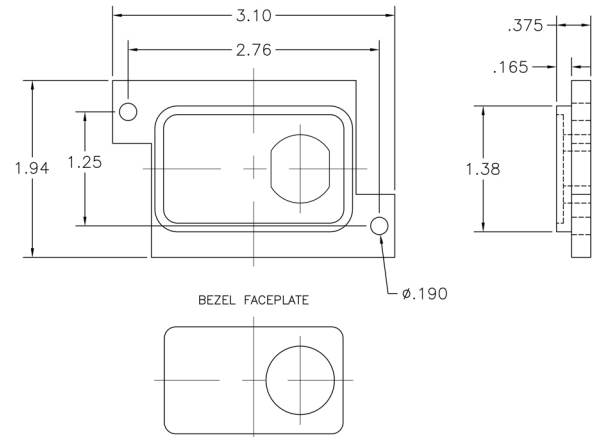
PHASE II

FFSCH-201 Florida Fire Schindler CT Key Switch Assembly PHII Zone1
Thru 3 Pos, 2KP (OFF-HOLD-ON)

FFSCH-207 Florida Fire Schindler CT Key Switch Assembly PHII Zone7
3 Pos, 2KP (OFF-HOLD-ON)

FFSCH-SPECIAL Florida Fire Schindler CT Key Switch, Specify Markings,
Key Pull and Key Position, See Order Form on pg. 23

FFSCH-105



SCHINDLER MTA KEY SWITCH SERIES

2 POSITION

FFSCK-001 Florida Fire Schindler MTA Key Switch Assembly Zone1
Thru 2 Pos, 2 KP (OFF-ON)

FFSCK-007 Florida Fire Schindler MTA Key Switch Assembly Zone7
2 Pos, 2 KP (OFF-ON)

FFSCK-001S Florida Fire Schindler MTA Key Switch Assembly Zone1
Thru 2 Pos, 1 KP (OFF-ON)

FFSCK-007S Florida Fire Schindler MTA Key Switch Assembly Zone7
2 Pos, 1 KP (OFF-ON)

PHASE I

FFSCK-101 Florida Fire Schindler MTA Key Switch Assembly PHI Zone1
Thru 3 Pos, 2KP (BYPASS-OFF-ON)

FFSCK-107 Florida Fire Schindler MTA Key Switch Assembly PHI Zone7
3 Pos, 2KP (BYPASS-OFF-ON)

FFSCK-101A Florida Fire Schindler MTA Key Switch Assembly PHI Zone1
Thru 3 Pos, 2KP (RESET-OFF-ON)

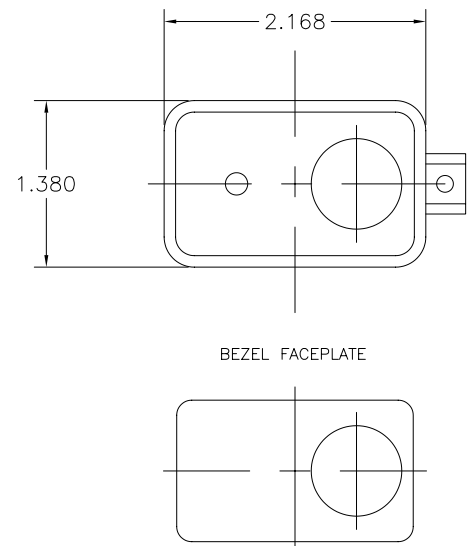
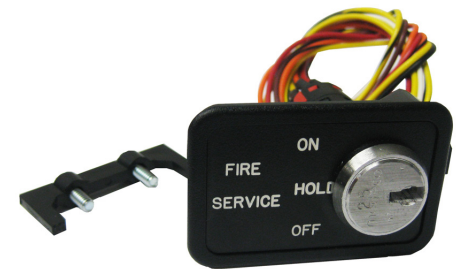
FFSCK-107A Florida Fire Schindler MTA Key Switch Assembly PHI Zone7
3 Pos, 2KP (RESET-OFF-ON)

PHASE II

FFSCK-201 Florida Fire Schindler MTA Key Switch Assembly PHII Zone1
Thru 3 Pos, 2KP (OFF-HOLD-ON)

FFSCK-207 Florida Fire Schindler MTA Key Switch Assembly PHII Zone7
3 Pos, 2KP (OFF-HOLD-ON)

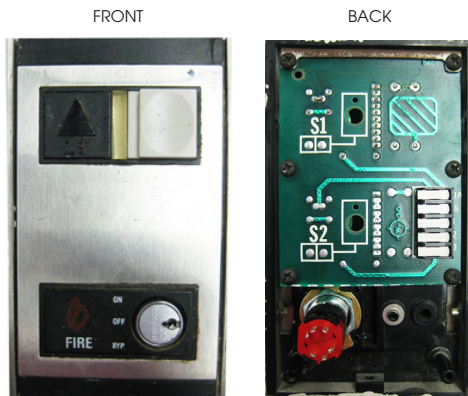
FFSCK-SPECIAL Florida Fire Schindler MTA Key Switch, Specify Markings,
Key Pull and Key Position, See Order Form on pg. 23



SOLUTIONS

SEES has determined that the fixtures below can be retrofitted by using the FFOC series 3/4" Cylinder. Examples with pictures are shown below.

KONE VECTOR



OTIS M3



SEES FIXTURES

SEES

SOUTHERN ELEVATOR
& ELECTRIC SUPPLY

Add class & durability to your elevator with **SEES** fixtures

- 2-3 Week Lead Time on Most Fixture Orders & Competitive Pricing
- Retrofit Packages and Custom Sizes Available
- Variety of Premium Quality Components

WHY CHOOSE US?

Over the last 45 years SEES has strived to offer the best solutions to all industry demands. We are now extending our innovation and superior quality trademark to the world of elevator fixtures.

800.526.0026

Always Smooth Sailing with SEES

www.SEESinc.com



SEES Inc



SEESParts



SEES, Inc.

Always Smooth Sailing

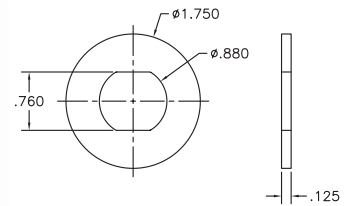
2781 West McNab Rd, Pompano Beach, FL 33069 • (800) 526-0026 • www.SEESinc.com



EMERGENCY POWER

7 POSITION

- FFEP-001** Florida Fire Emergency Power Key Switch Zone 1
8 Pos, 8 KP
Thru
- FFEP-007** Florida Fire Emergency Power Key Switch Zone 7
8 Pos, 8 KP



OFF-ON-EMERGENCY POWER

- FFEP-AD-001** Florida Fire Adams Round Emergency Power Key Switch Zone 1
2 Pos, 2 KP
Thru
- FFEP-AD-007** Florida Fire Adams Round Emergency Power Key Switch Zone 7
2 Pos, 2 KP
- FFEP-ADS-001** Florida Fire Adams Square Emergency Power Key Switch Zone 1
2 Pos, 2 KP
Thru
- FFEP-ADS-007** Florida Fire Adams Square Emergency Power Key Switch Zone 7
2 Pos, 2 KP
- FFEP-AU-001** Florida Fire Auora Emergency Power Key Switch Zone 1
2 Pos, 2 KP
Thru
- FFEP-AU-007** Florida Fire Auora Emergency Power Key Switch Zone 7
2 Pos, 2 KP
- FFEP-GAL-001H** Florida Fire GAL Emergency Power Key Switch Zone 1
2 Pos, 2 KP, Horizontal
Thru
- FFEP-GAL-007H** Florida Fire GAL Emergency Power Key Switch Zone 7
2 Pos, 2 KP, Horizontal
- FFEP-GAL-001V** Florida Fire GAL Emergency Power Key Switch Zone 1
2 Pos, 2 KP, Vertical
Thru
- FFEP-GAL-007V** Florida Fire GAL Emergency Power Key Switch Zone 7
2 Pos, 2 KP, Vertical
- FFEP-IN-001** Florida Fire Innovation Round Emergency Power Key Switch Zone 1
2 Pos, 2 KP
Thru
- FFEP-IN-007** Florida Fire Innovation Round Emergency Power Key Switch Zone 7
2 Pos, 2 KP
- FFEP-IN-001S** Florida Fire Innovation Square Emergency Power Key Switch Zone 1
2 Pos, 2 KP, Square
Thru
- FFEP-IN-007S** Florida Fire Innovation Square Emergency Power Key Switch Zone 7
2 Pos, 2 KP, Square
- FFEP-IM-001H** Florida Fire Impulse Square Emergency Power Key Switch Zone 1
2 Pos, 2 KP, Horizontal
Thru
- FFEP-IM-007H** Florida Fire Impulse Square Emergency Power Key Switch Zone 7
2 Pos, 2 KP, Horizontal
- FFEP-IM-001V** Florida Fire Impulse Square Emergency Power Key Switch Zone 1
2 Pos, 2 KP, Vertical
Thru
- FFEP-IM-007V** Florida Fire Impulse Square Emergency Power Key Switch Zone 7
2 Pos, 2 KP, Vertical
- FFEP-IM-001HR** Florida Fire Impulse Round Emergency Power Key Switch Zone 1
2 Pos, 2 KP, Horizontal
Thru
- FFEP-IM-007HR** Florida Fire Impulse Round Emergency Power Key Switch Zone 7
2 Pos, 2 KP, Horizontal

*continued on next page



EMERGENCY POWER

FFEP-IM-001VR Thru	Florida Fire Impulse Round Emergency Power Key Switch Zone 1 2 Pos, 2 KP, Vertical
FFEP-IM-007VR	Florida Fire Impulse Round Emergency Power Key Switch Zone 7 2 Pos, 2 KP, Vertical
FFEP-KN-001 Thru	Florida Fire Kone Legend Emergency Power Key Switch Zone 1 2 Pos, 2 KP
FFEP-KN-007	Florida Fire Kone Legend Emergency Power Key Switch Zone 7 2 Pos, 2 KP
FFEP-WB-001 Thru	Florida Fire Westinghouse Emergency Power Key Switch Zone 1 2 Pos, 2 KP
FFEP-WB-007	Florida Fire Westinghouse Emergency Power Key Switch Zone 7 2 Pos, 2 KP
FFEP-MC-001 Thru	Florida Fire Monitor Control Emergency Power Key Switch Zone 1 2 Pos, 2 KP
FFEP-MC-007	Florida Fire Monitor Control Emergency Power Key Switch Zone 7 2 Pos, 2 KP
FFEP-OB-001 Thru	Florida Fire Otis M1 Emergency Power Key Switch Zone 1 2 Pos, 2 KP
FFEP-OB-007	Florida Fire Otis M1 Emergency Power Key Switch Zone 7 2 Pos, 2 KP
FFEP-PN-001 Thru	Florida Fire Payne Emergency Power Key Switch Zone 1 2 Pos, 2 KP
FFEP-PN-007	Florida Fire Payne Emergency Power Key Switch Zone 7 2 Pos, 2 KP
FFEP-SCH-001 Thru	Florida Fire Schindler CT Emergency Power Key Switch Zone 1 2 Pos, 2 KP
FFEP-SCH-007	Florida Fire Schindler CT Emergency Power Key Switch Zone 7 2 Pos, 2 KP
FFEP-SCK-001 Thru	Florida Fire Schindler MTA Emergency Power Key Switch Zone 1 2 Pos, 2 KP
FFEP-SCK-007	Florida Fire Schindler MTA Emergency Power Key Switch Zone 7 2 Pos, 2 KP
FFEP-TR-001H Thru	Florida Fire Traditional Emergency Power Key Switch Zone 1 2 Pos, 2 KP, Horizontal
FFEP-TR-007H	Florida Fire Traditional Emergency Power Key Switch Zone 7 2 Pos, 2 KP, Horizontal
FFEP-TR-001V Thru	Florida Fire Traditional Emergency Power Key Switch Zone 1 2 Pos, 2 KP, Vertical
FFEP-TR-007V	Florida Fire Traditional Emergency Power Key Switch Zone 7 2 Pos, 2 KP, Vertical
FFEP-UN-001 Thru	Florida Fire Universal Emergency Power Key Switch Zone 1 2 Pos, 2 KP
FFEP-UN-007	Florida Fire Universal Emergency Power Key Switch Zone 7 2 Pos, 2 KP
FFEP-US-001 Thru	Florida Fire US Emergency Power Key Switch Zone 1 2 Pos, 2 KP
FFEP-US-007	Florida Fire US Emergency Power Key Switch Zone 7 2 Pos, 2 KP



FLUSH MOUNT LOCK BOX

- FFLBC-01** Florida Fire Lock Box Stainless Steel Zone 1
Flush Mount with Chrome Cylinder
Thru
- FFLBC-07** Florida Fire Lock Box Stainless Steel Zone 7
Flush Mount with Chrome Cylinder
Face: 4-1/4" x 4-1/4"
Box: 3-3/8" x 3-3/8" x 2-5/16" Deep

SURFACE MOUNT LOCK BOX

- FLBC-01** Florida Fire Lock Box Stainless Steel Zone 1
Surface Mount with Chrome Cylinder
Thru
- FLBC-07** Florida Fire Lock Box Stainless Steel Zone 7
Surface Mount with Chrome Cylinder
Face: 4" x 4"
Box: 3-1/2" x 3-1/2" x 1-1/2" Deep
Mounting Holes: 2-5/8" x 2-5/8" Square, Hole is ø.180

69A-47.019 Lock boxes

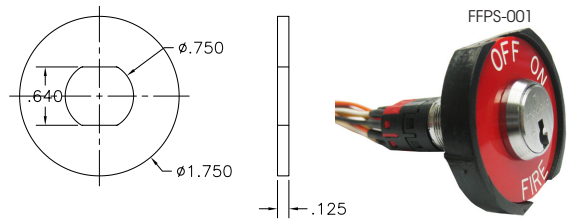
(1) If the local fire official determines that it is technically, financially, or physically impossible to bring a building's elevators into compliance with this rule, the local fire official may accept as an alternative the installation of a keyed lock box that accepts the uniform key for that specific region. The lock box shall be installed in accordance with this section.



POWER CONTROL (Fire Command Station)

- FFPS-001** Florida Fire Power Control Key Switch Zone 1 (ON-OFF)
2 Pos, 2 KP
Thru
- FFPS-007** Florida Fire Power Control Key Switch Zone 7 (ON-OFF)
2 Pos, 2 KP

* Use as US Key Switch 2position

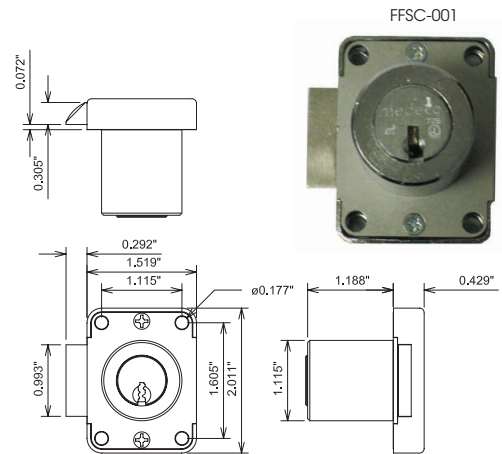


LATCHING CYLINDER FOR CABINET

- FFSC-001** Florida Fire Latching Cylinder for Cabinet Zone 1
Thru
- FFSC-007** Florida Fire Latching Cylinder for Cabinet Zone 7

ASME A17.1a-2005 2.27.3.3.7

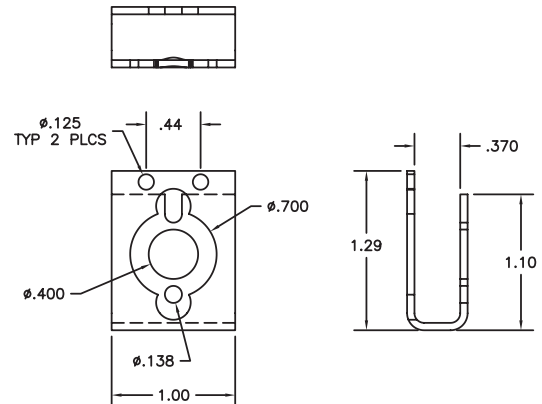
The firefighters' operation panel cover shall be open able by the same key that operates the "FIRE OPERATION" switch. The cover shall be permitted to open automatically when the car is on Phase 1 Emergency Recall Operation and at the recall level. When the key is in the "FIRE OPERATION" switch, the cover shall not be capable of being closed. When closed, the cover shall be self-locking.



MISCELLANEOUS

- FLSW-BRACKET** Bracket for Florida Fire PHI & PHII Key Cylinders
- FLSW-SWITCH** Rotary switch for Florida Fire Key PHI & PHII 45 deg 1P3T
- FLSW-SWITCH-D** Rotary switch for Florida Fire Key PHI & PHII 45 deg 2P3T
- FFDK-001** Florida Fire Drill Kit Key Cylinder Stainless Steel Hole Saw

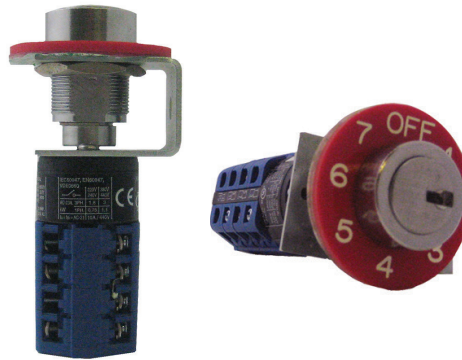
* Diagrams for Rotary Switches on page 22



CONFIGURATION DIAGRAMS

1P8T		
PINS 2 & 4 ARE COMMON		
PINS 2 & 6 ARE COMMON		
PINS 6 & 8 ARE COMMON		
PINS 8 & 12 ARE COMMON		
PINS 10 & 12 ARE COMMON		
PINS 10 & 14 ARE COMMON		
PINS 14 & 16 ARE COMMON		
POSITION	PINS	STATE
1	1 & 2	CLOSED
	All	OPEN
2	5 & 6	CLOSED
	All	OPEN
3	9 & 10	CLOSED
	All	OPEN
4	13 & 14	CLOSED
	All	OPEN
5	3 & 4	CLOSED
	All	OPEN
6	7 & 8	CLOSED
	All	OPEN
7	11 & 12	CLOSED
	All	OPEN
8	15 & 16	CLOSED
	All	OPEN

FFEP-001 thru FFEP-007



FLSW-SWITCH-D

2PTT		
PINS 2 & 4 ARE COMMON		
PINS 2 & 6 ARE COMMON		
PINS 8 & 12 ARE COMMON		
PINS 10 & 12 ARE COMMON		
POSITION	PINS	STATE
11:00	1 & 2	CLOSED
	3 & 4	OPEN
	5 & 6	OPEN
	7 & 8	OPEN
	9 & 10	OPEN
	11 & 12	CLOSED
12:00	1 & 2	OPEN
	3 & 4	CLOSED
	5 & 6	OPEN
	7 & 8	OPEN
	9 & 10	CLOSED
	11 & 12	OPEN
1:00	1 & 2	OPEN
	3 & 4	OPEN
	5 & 6	CLOSED
	7 & 8	CLOSED
	9 & 10	OPEN
	11 & 12	OPEN

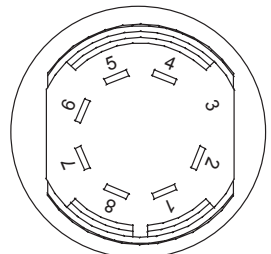
FLSW-SWITCH

1PTT		
PINS 2 & 4 ARE COMMON		
PINS 2 & 6 ARE COMMON		
POSITION	PINS	STATE
11:00	1 & 2	CLOSED
	3 & 4	OPEN
	5 & 6	OPEN
	7 & 8	OPEN
12:00	1 & 2	OPEN
	3 & 4	CLOSED
	5 & 6	OPEN
	7 & 8	OPEN
1:00	1 & 2	OPEN
	3 & 4	OPEN
	5 & 6	CLOSED
	7 & 8	OPEN



WIRING CONFIGURATION (For FFOC Series)

Part Number	Key Positions	Key Removal	Terminals Connected		
			A	B	C
FFOC-101 thru FFOC-107	A,B,C	A,B	1-8,4-5	1-2,5-6	3-4,7-8
FFOC-201 thru FFOC-207	A,B,C	A,C	1-8,4-5	1-2,5-6	3-4,7-8
FFPS-001 thru FFPS-007	A,B	A,B	1-8,4-5	1-2,5-6	-



Wiring Configuration

- | Pin # | Wire Color |
|-------|--------------------------|
| 1 | Black |
| 2 | White |
| 3 | Yellow |
| 4 | Orange |
| 5 | Red |
| 6 | Brown |
| 7 | Yellow with Black Stripe |
| 8 | Orange with Black Stripe |

800.526.0026

Always Smooth Sailing with SEES

www.SEEsinc.com



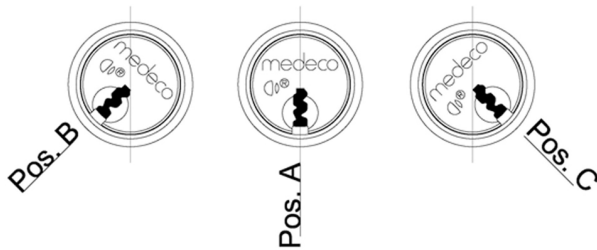


FLORIDA FIRE SPECIAL ORDER FORM

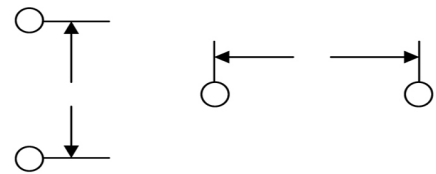
PHONE: 800.526.0026 FAX: 954.917.7337

NAME:		PHONE #		DATE:	ACCOUNT #
EMAIL		REQ.SHIP DATE:	JOB #		PO #
PART NUMBER	ZONE	KEY POSITION	KEY PULL POSITIONS	ORIENTATION	BEZEL COLOR
<input type="checkbox"/> FFAU SERIES	<input type="checkbox"/> 1	<input type="checkbox"/> 2 POS	<input type="checkbox"/> A	<input type="checkbox"/> HORIZONTAL	<input type="checkbox"/> RED
<input type="checkbox"/> FFTR SERIES	<input type="checkbox"/> 2	<input type="checkbox"/> 3 POS	<input type="checkbox"/> B	<input type="checkbox"/> VERTICAL	<input type="checkbox"/> BLACK
<input type="checkbox"/> FFIS SERIES	<input type="checkbox"/> 3	<input type="checkbox"/> 8 POS	* Reference Diagram	ROUND OR SQUARE	
<input type="checkbox"/> FFISR SERIES	<input type="checkbox"/> 4			DIAMETER OF THRU HOLE IN PANEL	
<input type="checkbox"/> FFOB SERIES	<input type="checkbox"/> 5			_____ (in)	
<input type="checkbox"/> FFUS SERIES	<input type="checkbox"/> 6			<input type="checkbox"/> ROUND	
<input type="checkbox"/> FFWB SERIES	<input type="checkbox"/> 7			<input type="checkbox"/> SQUARE	
<input type="checkbox"/> FFIN SERIES				POSTIONS	
<input type="checkbox"/> FFMC SERIES				ENGRAVINGS	
<input type="checkbox"/> FFGK SERIES				12 O'Clock	
<input type="checkbox"/> FFPS SERIES				2-3 O'Clock	
<input type="checkbox"/> FFEP SERIES				6 O'Clock	
<input type="checkbox"/> FFAD SERIES				9-10 O'Clock	
<input type="checkbox"/> FFADS SERIES	Number of Pieces _____			FILL WITH RED OR WHITE	<input type="checkbox"/> RED LETTERS <input type="checkbox"/> WHITE LETTERS
<input type="checkbox"/> FFKN SERIES					
<input type="checkbox"/> FFPN SERIES					
<input type="checkbox"/> FFSCH SERIES					
<input type="checkbox"/> FFSCK SERIES					
<input type="checkbox"/> FFUN SERIES					

KEY PULL POSITIONS



STUD MOUNTING DIMENSION & ORIENTATION



SPECIAL ORDERS REQUIRE 1-2 WEEKS TO MANUFACTURE

Shipping Service Requested

- | | |
|--|---|
| <input type="checkbox"/> Freight Collect UPS | <input type="checkbox"/> NDA Red 8:30am |
| <input type="checkbox"/> Freight Collect FedEx | <input type="checkbox"/> Next Day Anytime |
| <input type="checkbox"/> via UPS # _____ | <input type="checkbox"/> 2 Day |
| <input type="checkbox"/> via FedEx # _____ | <input type="checkbox"/> 3 Day Ground |

NOTES:

Dear Customer,

We ask that you agree to our policy regarding non-cancelable and non-returnable products in order to eliminate any misunderstanding. The product listed above falls under this policy and once S.E.E.S. places its order with the manufacturer, this agreement will be binding. The product is non-cancelable and non-returnable regardless of any changes in your requirements. Any allocated quantity which is on our shelves or on order with the factory will be your responsibility. We will make every effort to accommodate changes in your delivery requirements however, once production has begun we may be unable to change delivery dates. All freight charges from the factory will be prepaid and applied to your invoice. S.E.E.S. reserves the right to under or over ship quantities up to 10% on non-cancelable and non-returnable products based on quantities received from the manufacturer.

Please sign and return acknowledging your understanding and agreement to the terms above.

SIGNATURE

800.526.0026

Always Smooth Sailing with SEES

www.SEEInc.com



**APPLICATION FOR UNIFORM ELEVATOR KEY
FLORIDA DEPARTMENT OF FINANCIAL SERVICES
DIVISION OF STATE FIRE MARSHAL**

PART I [Please print or type]

APPLICANT NAME _____
 ADDRESS _____
 CITY, STATE, ZIP _____
 PHONE, FAX, EMAIL _____
 WEB SITE _____
 MAILING ADDRESS (If different from above) _____
 STREET _____
 CITY, STATE, ZIP _____

PART II

I am eligible under Chapter 69A-47.016, F.A.C. to possess a Uniform Elevator Key for Emergency Response Region # _____ based on the following qualification(s) [please check the appropriate box(es)]:

- (a) **Local fire department personnel:** certified as a firefighter and active employment or affiliation with a fire department
- (b) **Elevator owner:** ownership in a building required to comply with this rule chapter
- (c) **Elevator owner's agent:** employment with an owner required to comply with this rule chapter
- (d) **Elevator contractor:** active license with the Division of Elevators
- (e) **State-certified inspector:** actively licensed as an elevator inspector by the Division of Elevators
- (f) **State agency representative:** employed by a state agency in a capacity requiring access to elevator for maintenance purposes

PART III

I hereby submit this application for the purpose of obtaining a Uniform Elevator Key in accordance with Section 399.15, Florida Statutes, and Rule Chapter 69A-47, Florida Administrative Code.

I further agree and certify that:

1. I will not duplicate the elevator key issued pursuant to this application;
2. Should I become ineligible to possess a Uniform Elevator Key in accordance with this Application, I will surrender all keys in my possession to the authorized vendor that issued such key(s).

Signature of Applicant: _____ Date: _____

Approval of Owner/Agency Representative: _____ Date: _____

VENDOR USE ONLY	
Number of Keys Issued: _____	Region: _____
Applicant Denied: <input type="checkbox"/> YES <input type="checkbox"/> NO Reason _____	
Signature of Issuing Vendor: _____	Date: _____
<i>(The following is to be completed after the key was surrendered to the vendor)</i>	
The above key was mailed to the State Fire Marshal at 200 East Gaines Street, Tallahassee, FL 32399 on _____, 20____.	
Signature of Vendor _____	Return to: Division of State Fire Marshal, Bureau of Fire Prevention, 200 East Gaines Street, Tallahassee, Florida 32399-0342

IN CASE OF EMERGENCY

EVERY SECOND
COUNTS



SEES

**SOUTHERN ELEVATOR
& ELECTRIC SUPPLY**

www.SEEsinc.com

954.971.1115 800.526.0026

ISO 9001:2015