



VIRGINIA

FIRE SERVICE CATALOG

2781 West McNab Rd., Pompano Beach, FL 33069 • 800.526.0026 • www.SEEInc.com

**SOUTHERN ELEVATOR
& ELECTRIC SUPPLY**



Welcome to **SEES**[®]

www.SEESinc.com • 800.526.0026

"OUR MISSION IS TO BECOME THE BEST ELEVATOR PARTS COMPANY IN THE WORLD BY DEDICATING OUR RESOURCES, OUR TALENTS AND OUR ENERGIES, TO HELP IMPROVE THE ELEVATOR INDUSTRY."

SHOP ONLINE!
24 HOURS A DAY
7 DAYS A WEEK
365 DAYS A YEAR



 @SEESinc
  SEESinc.com/blogs
  SEESinc

CONTENTS

VIRGINIA FIRE SERVICE CATALOG

- 1 State of Virginia Fire Prevention Code
- 2 Keys and Bezels
- 5 OEM Cylinders
- 6 Universal Key Switches / Haughton
- 7 Dover Key Switches
- 9 Otis / Westinghouse Key Switches
- 10 Innovation Key Switches
- 11 US / Monitor Control Key Switches / GAL Key Switches
- 12 Adams Key Switches
- 13 Payne / KONE Key Switches
- 14 Schindler Key Switches
- 15 Solutions / Latching Cylinder
- 16 Diagrams
- 19 Special Order Form
- 20 Uniform Key Application



GLOBAL HEADQUARTERS

2781 West McNab Rd., Pompano Beach, FL 33069



COME VISIT OUR DISTRIBUTION CENTER

1150 West McNab Rd., Fort Lauderdale, FL 33309

SEES DISTRIBUTION CENTER

Same day shipping, extended hours, plus the industry's largest, most diverse inventory, ensures reliable delivery of your required parts and supplies. Contact **SEES** with confidence- the fast and easy solution for all of your elevator and escalator needs.



SEES MANUFACTURING

SEES, an ISO 9001 Certified Manufacturer, utilizes lean manufacturing techniques and advanced technology to produce quality products, **MADE IN THE U.S.A.** SEES state of the art machining capabilities produce high volume parts at low costs as well as the ability for quick turn around times on custom or short run manufacturing. Contact SEES with confidence.



WE LOOK FORWARD TO BEING OF SERVICE TO YOU AND YOUR COMPANY.



SEES IS PROUD TO PROVIDE VIRGINIA WITH OUR 1ST VIRGINIA FIRE SERVICE CATALOG.

In this edition you will find the solutions you need to comply with Virginia Statewide Fire Prevention Code and Uniform Fire Safety Standards. Included in this catalog are the keys, mounting rings, bezels, cylinders, switches, power control and emergency power, as well as the key application, and a new Special Order Form to make ordering easier on those hard to find parts.

“EVERY SECOND COUNTS”, WHEN RESPONDING TO FIRE AND MEDICAL EMERGENCIES.



The Virginia Uniform Elevator Key program was adopted by the Virginia State Legislature to give emergency responders faster access to buildings to help save lives.

The Administrative Code is listed below:

2009 VIRGINIA STATEWIDE FIRE PREVENTION CODE Effective March 1, 2011

13VAC5-51-133. IFC Chapter 5. Fire Service Features.

506.3. Standardized fire service elevator keys. All buildings with elevators equipped with Phase I emergency recall or Phase II emergency in-car operation, or buildings equipped with fire service access or occupant evacuation elevators shall be equipped to operate with a standardized fire service key approved by the fire code official.

506.3.1. Requirements for standardized fire service keys. Standardized fire service elevator keys shall comply with all of the following:

1. All fire service elevator keys within the jurisdiction shall be uniform and specific for the jurisdiction. Keys shall be cut to a uniform key code.
2. Fire service elevator keys shall be a patent protected design to prevent unauthorized duplication.
3. Fire service elevator keys subject to these rules shall be engraved with the words “DO NOT DUPLICATE.”

506.3.2. Access to standardized fire service keys. Access to standardized fire service elevator keys shall be restricted to the following persons or groups:

1. Elevator owners or their authorized agents.
2. Elevator contractors.
3. Elevator inspectors of the jurisdiction.
4. Fire and building code officials of the jurisdiction.
5. The fire department and other emergency response agencies designated by the fire code official and the code official responsible for the enforcement of Part III, Maintenance, of the USBC.

506.3.3. Duplication or distribution of keys. No person may duplicate a standardized fire service elevator key or issue, give, or sell a duplicated key unless in accordance with this code.

506.3.4. Responsibility to provide keys. The building owner shall provide up to three standardized fire service elevator keys, if required by the fire code official, upon installation of a standardized fire service key switch or switches in the building.

HOW TO ACQUIRE THE STATE MANDATED VIRGINIA FIRE SERVICE KEYS:

- 1) To purchase the new Uniform Elevator Key (**Key Only**), fill out a Virginia State application, *located on pg. 20*
- 2) Fax completed application and order form to **SEES (Southern Elevator & Electric Supply)** at 954-917-7337 or for help, call 800.526.0026 and speak to a customer service representative.
Monday – Friday from 8:00 a.m. to 7:00 p.m. (ET)

You do not need to fill out an application or seek approval to purchase the Key Cylinders, Bezels, or any other miscellaneous parts. The **Virginia State Application** is required for the keys.

IF YOU NEED A SPECIAL OR CUSTOM SOLUTION PLEASE FILL OUT FORM ON pg.19 or CALL SEES FOR ASSISTANCE.

VIRGINIA FIRE KEYS

ITEM #	DESCRIPTION
VA-UEK	Virginia Fire Service, Elevator Key

**application on pg. 20*



506.3.1 Requirements for standardized fire service keys. Standardized fire service elevator keys shall comply with all of the following:

1. All fire service elevator keys within the jurisdiction shall be uniform and specific for the jurisdiction. Keys shall be cut to a uniform key code.
2. Fire service elevator keys shall be a patent protected design to prevent unauthorized duplication.
3. Fire service elevator keys subject to these rules shall be engraved with the words "DO NOT DUPLICATE."

UNIVERSAL BEZELS

ITEM #	DESCRIPTION
--------	-------------

2.25" OD X 1.15" ID

FFB-001	Fire Service Bezel, PHI, (BYPASS-OFF-ON)
FFB-002	Fire Service Bezel, PHII, (OFF-HOLD-ON)
FFB-003	Fire Service Bezel, PHI, (RESET-OFF-ON)
FFB-004	Fire Service Bezel, PHI & PHII, (OFF-ON)

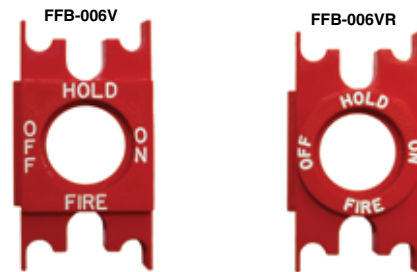
**comes with FFBR-001 adhesive ring*



IMPULSE BEZELS

ITEM #	DESCRIPTION
--------	-------------

FFB-005H	Fire Service Impulse, PHI, Horizontal, Square (BYPASS-OFF-ON)
FFB-005HR	Fire Service Impulse, PHI, Horizontal, Round (BYPASS-OFF-ON)
FFB-005V	Fire Service Impulse, PHI, Vertical, Square (BYPASS-OFF-ON)
FFB-005VR	Fire Service Impulse, PHI, Vertical, Round (BYPASS-OFF-ON)
FFB-006H	Fire Service Impulse, PHII, Horizontal, Square (OFF-HOLD-ON)
FFB-006HR	Fire Service Impulse, PHII, Horizontal, Round (OFF-HOLD-ON)
FFB-006V	Fire Service Impulse, PHII, Vertical, Square (OFF-HOLD-ON)
FFB-006VR	Fire Service Impulse, PHII, Vertical, Round (OFF-HOLD-ON)
FFB-007H	Fire Service Impulse, PHI, Horizontal, Square (RESET-OFF-ON)
FFB-007HR	Fire Service Impulse, PHI, Horizontal, Round (RESET-OFF-ON)
FFB-007V	Fire Service Impulse, PHI, Vertical, Square (RESET-OFF-ON)
FFB-007VR	Fire Service Impulse, PHI, Vertical, Round (RESET-OFF-ON)
FFB-051H	Fire Service Impulse, Horizontal, Square (OFF-ON)
FFB-051HR	Fire Service Impulse, Horizontal, Round (OFF-ON)
FFB-052V	Fire Service Impulse, Vertical, Square (OFF-ON)
FFB-052VR	Fire Service Impulse, Vertical, Round (OFF-ON)



US BEZELS

ITEM #	DESCRIPTION
--------	-------------

FFB-008	Fire Service US Bezel, PHI, 1-3/4" OD (BYPASS-OFF-ON)
FFB-009	Fire Service US Bezel, PHII, 1-3/4" OD (OFF-HOLD-ON)
FFB-010	Fire Service US Bezel, PHI, 1-3/4" OD (RESET-OFF-ON)
FFB-011	Fire Service US Bezel, PHII, 1-3/4" OD Emergency Power (OFF-1-7)
FFB-031	Fire Service US Bezel, (Power Control) 2 Position (OFF-ON)

**comes with FFBR-002 adhesive ring, backing and lock washer*



FIRE SERVICE KEY FUNCTIONS

** key is removable in this position*

PHASE I	BYPASS	OFF	ON
HALL		*	*

PHASE II	OFF	HOLD	ON
CAR	*	*	*

** Prior to the 2000 code, Special orders required for 3 key pull*

PHASE I	RESET	OFF	ON
HALL		*	*

** After 2000*

PHASE II	OFF	HOLD	ON
CAR	*	*	

** After 2000*

TRADITIONAL BEZELS

ITEM #	DESCRIPTION
FFB-012	Fire Service Traditional Bezel PHI Horizontal, (BYPASS-OFF-ON)
FFB-012V	Fire Service Traditional Bezel PHI Vertical, (BYPASS-OFF-ON)
FFB-013	Fire Service Traditional Bezel PHII Horizontal, (OFF-HOLD-ON)
FFB-013V	Fire Service Traditional Bezel PHII Vertical, (OFF-HOLD-ON)
FFB-014	Fire Service Traditional Bezel PHI Horizontal, (RESET-OFF-ON)
FFB-014V	Fire Service Traditional Bezel PHI Vertical, (RESET-OFF-ON)
FFB-012S	Fire Service Traditional Bezel Horizontal, (OFF-ON)
FFB-012VS	Fire Service Traditional Bezel Vertical, (OFF-ON)

*comes with universal mounting bracket



AURORA BEZELS

ITEM #	DESCRIPTION
FFB-015	Fire Service Aurora Bezel PHI, (BYPASS-OFF-ON)
FFB-016	Fire Service Aurora Bezel PHII, (OFF-HOLD-ON)
FFB-017	Fire Service Aurora Bezel PHI, (RESET-OFF-ON)
FFB-053	Fire Service Aurora Bezel, (OFF-ON)

*comes with backing and lock washer



MONITOR CONTROL BEZELS

ITEM #	DESCRIPTION
FFB-018	Fire Service Monitor Control Bezel Round PHI, (BYPASS-OFF-ON)
FFB-019	Fire Service Monitor Control Bezel Round PHII, (OFF-HOLD-ON)
FFB-020	Fire Service Monitor Control Bezel Round PHI, (RESET-OFF-ON)
FFB-054	Fire Service Monitor Control Bezel Round, (OFF-ON)



GAL BEZELS

ITEM #	DESCRIPTION
FFB-025	Fire Service GAL Bezel, Round PHI, Horizontal, (BYPASS-OFF-ON)
FFB-025V	Fire Service GAL Bezel, Round PHI, Vertical, (BYPASS-OFF-ON)
FFB-026	Fire Service GAL Bezel, Round PHII, Horizontal, (OFF-HOLD-ON)
FFB-026V	Fire Service GAL Bezel, Round PHII, Vertical, (OFF-HOLD-ON)
FFB-027	Fire Service GAL Bezel, Round PHI, Horizontal, (RESET-OFF-ON)
FFB-027V	Fire Service GAL Bezel, Round PHI, Vertical, (RESET-OFF-ON)
FFB-049	Fire Service GAL Bezel, Round, Horizontal, (OFF-ON)
FFB-049V	Fire Service GAL Bezel, Round, Vertical, (OFF-ON)

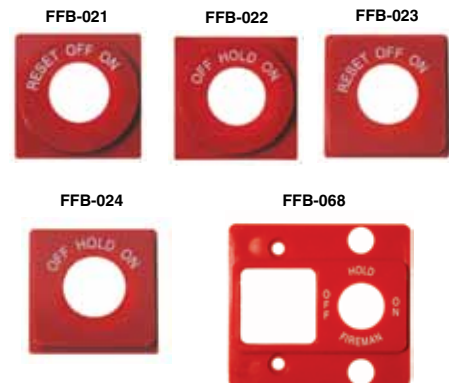
*comes with mounting bracket



INNOVATION BEZELS

ITEM #	DESCRIPTION
FFB-021	Fire Service Innovation Bezel Round PHI, (RESET-OFF-ON)
FFB-021A	Fire Service Innovation Bezel Round PHI, (BYPASS-OFF-ON)
FFB-022	Fire Service Innovation Bezel Round PHII, (OFF-HOLD-ON)
FFB-023	Fire Service Innovation Bezel Square PHI, (RESET-OFF-ON)
FFB-023A	Fire Service Innovation Bezel Square PHI, (BYPASS-OFF-ON)
FFB-024	Fire Service Innovation Bezel Square PHII, (OFF-HOLD-ON)
FFB-042	Fire Service Innovation Bezel Round, 2 Position, (OFF-ON)
FFB-042A	Fire Service Innovation Bezel Square, 2 Position, (OFF-ON)
FFB-067	Fire Service Innovation Bezel retrofit kit, (Byp-Off-On)
FFB-068	Fire Service Innovation Bezel retrofit kit, (Off-Hold-On)
FFB-069	Fire Service Innovation Bezel retrofit kit, (Reset-Off-On)
FFB-070	Fire Service Innovation Bezel retrofit kit, (Off-On)

*retro fit kit re-uses existing parts and works with VA-KS keyswitch.



ADAMS BEZELS

ITEM #	DESCRIPTION
FFB-032	Fire Service Adams Bezel, Round PHI, (BYPASS-OFF-ON)
FFB-033	Fire Service Adams Bezel, Round PHII, (OFF-HOLD-ON)
FFB-034	Fire Service Adams Bezel, Round PHI, (RESET-OFF-ON)
FFB-056	Fire Service Adams Bezel, Round, (OFF-ON)
FFB-062	Fire Service Adams Bezel, Square PHI, (BYPASS-OFF-ON)
FFB-063	Fire Service Adams Bezel, Square PHII, (OFF-HOLD-ON)
FFB-064	Fire Service Adams Bezel, Square PHI, (RESET-OFF-ON)
FFB-065	Fire Service Adams Bezel, Square, (OFF-ON)



UNIVERSAL BEZELS

ITEM #	DESCRIPTION
1-3/8" OD	
FFB-035	Fire Service Universal Bezel, (OFF-ON)
FFB-036	Fire Service Universal Bezel, PHI, (BYPASS-OFF-ON)
FFB-037	Fire Service Universal Bezel, PHII, (OFF-HOLD-ON)
FFB-038	Fire Service Universal Bezel, PHI, (RESET-OFF-ON)



**comes with backing and lock washer*

WESTINGHOUSE BEZELS

ITEM #	DESCRIPTION
FFB-028	Fire Service Westinghouse Bezel, PHI, (BYPASS-OFF-ON)
FFB-029	Fire Service Westinghouse Bezel, PHII, (OFF-HOLD-ON)
FFB-030	Fire Service Westinghouse Bezel, PHI, (RESET-OFF-ON)
FFB-055	Fire Service Westinghouse Bezel, (OFF-ON)



PAYNE BEZELS

ITEM #	DESCRIPTION
FFB-039	Fire Service Payne Bezel, PHI, (BYPASS-OFF-ON)
FFB-040	Fire Service Payne Bezel, PHII, (OFF-HOLD-ON)
FFB-041	Fire Service Payne Bezel, PHI, (RESET-OFF-ON)
FFB-066	Fire Service Payne Bezel, (OFF-ON)



SCHINDLER CT BEZELS

ITEM #	DESCRIPTION
FFB-043	Fire Service Schindler CT Bezel, PHI, (BYPASS-OFF-ON)
FFB-044	Fire Service Schindler CT Bezel, PHII, (OFF-HOLD-ON)
FFB-045	Fire Service Schindler CT Bezel, PHI, (RESET-OFF-ON)
FFB-057	Fire Service Schindler CT Bezel, (OFF-ON)



**comes with faceplate and bezel*

SCHINDLER MTA BEZELS

ITEM #	DESCRIPTION
FFB-058	Fire Service Schindler MTA Bezel, PHI, (BYPASS-OFF-ON)
FFB-059	Fire Service Schindler MTA Bezel, PHII, (OFF-HOLD-ON)
FFB-060	Fire Service Schindler MTA Bezel, PHI, (RESET-OFF-ON)
FFB-061	Fire Service Schindler MTA Bezel, (OFF-ON)



**comes with faceplate, bezel and bracket*

KONE LEGEND BEZELS

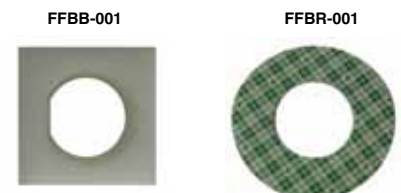
ITEM #	DESCRIPTION
FFB-046	Fire Service Kone Legend Bezel, PHI, (BYPASS-OFF-ON)
FFB-047	Fire Service Kone Legend Bezel, PHII, (OFF-HOLD-ON)
FFB-048	Fire Service Kone Legend Bezel, PHI, (RESET-OFF-ON)
FFB-061	Fire Service Kone Legend Bezel, (OFF-ON)

**comes with bracket and hardware*



MOUNTING RINGS

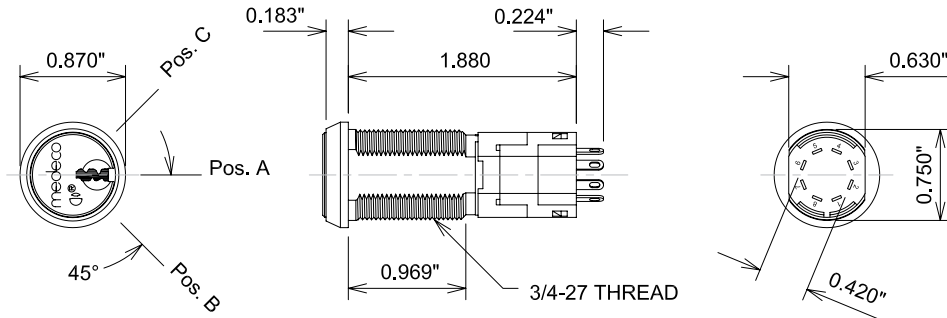
ITEM #	DESCRIPTION
FFBB-001	Backing "D" Shape for Impulse series
FFBR-001	Adhesive Mounting Ring 2.25" OD x 1.125" ID
FFBR-002	Adhesive Mounting Ring 1.175"OD x .9375" ID



OEM CYLINDER 3/4"

ITEM #	DESCRIPTION
VA-KS1	VA Fire Service OEM Cylinder 3/4", PH 1, 3 Position, 2 Key pull
VA-KS2	VA Fire Service OEM Cylinder 3/4", PH 2, 3 Position, 2 Key pull
VA-KS3	VA Fire Service OEM Cylinder 3/4", 3 Position, 3 Key pull
VA-KS4	VA Fire Service OEM Cylinder 3/4", 2 Position, 2 Key pull

VA-KS1

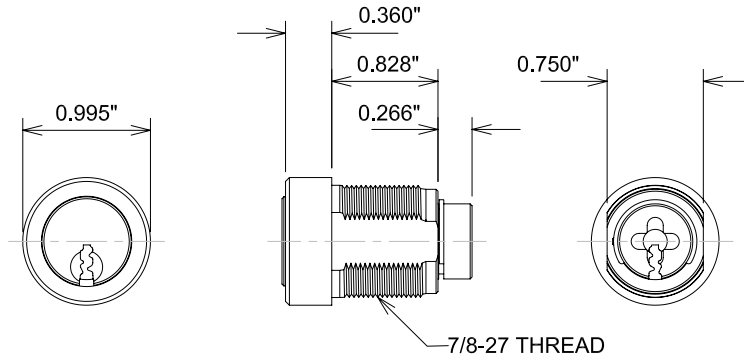


**all cylinders come pre-wired, see wiring diagram on pg.16*

OEM CYLINDER 7/8"

ITEM #	DESCRIPTION
VA-KS1A	VA Fire Service OEM Cylinder 7/8", PH 1, 3 Position, 2 Key pull
VA-KS2A	VA Fire Service OEM Cylinder 7/8", PH 2, 3 Position, 2 Key pull

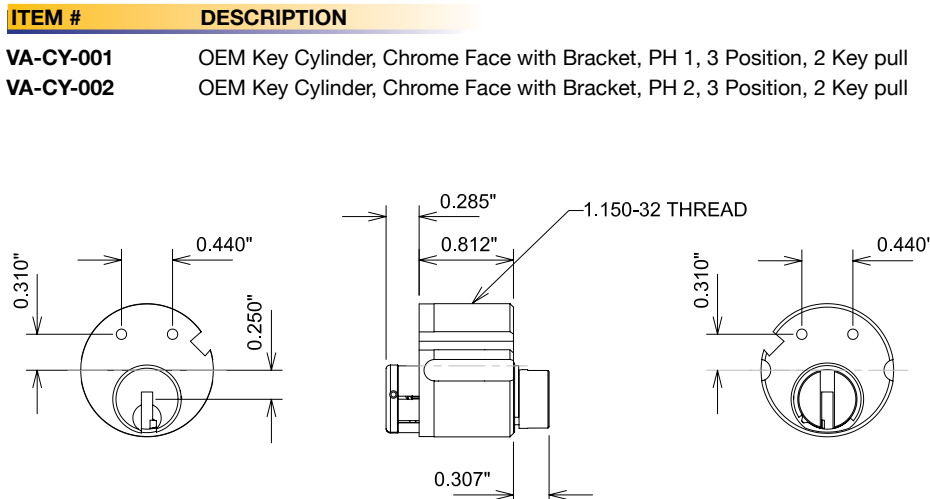
VA-KS1A



OEM KEY CYLINDER SERIES

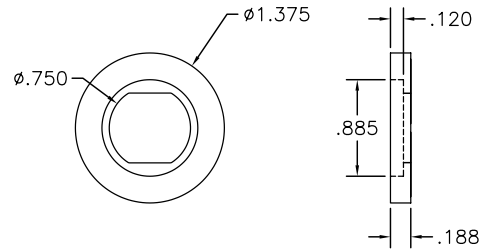
ITEM #	DESCRIPTION
VA-CY-001	OEM Key Cylinder, Chrome Face with Bracket, PH 1, 3 Position, 2 Key pull
VA-CY-002	OEM Key Cylinder, Chrome Face with Bracket, PH 2, 3 Position, 2 Key pull

VA-CY-001



UNIVERSAL 3/4" KEY SWITCH SERIES

ITEM #	DESCRIPTION
	PHASE I
VA-UN-001	VA Fire Service, Universal PH 1, 3 Position, Removable 2, (Bypass-Off-On)
VA-UN-001R	VA Fire Service, Universal PH 1, 3 Position, Removable 2, (Reset-Off-On)
	PHASE II
VA-UN-002	VA Fire Service, Universal PH 2, 3 Position, Removable 2, (Off-Hold-On)
	2 POSITION
VA-UN-003	VA Fire Service, Universal 2 Position, Removable 2, (Off-On)
VA-UN-SPECIAL	VA Fire Service Universal, 3/4", specify markings, key pull and key position, SEE ORDER FORM pg. 19

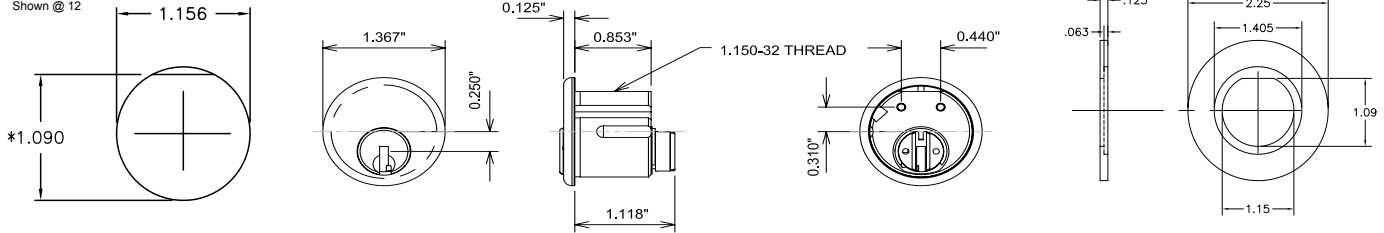


UNIVERSAL KEY SWITCH

ITEM #	DESCRIPTION
	PHASE I
VA-SW-001	Universal Key Cylinder with Bezel PH 1, 3 Position, 2 Key pull, (Bypass-Off-On)
VA-SW-001R	Universal Key Cylinder with Bezel PH 1, 3 Position, 2 Key pull, (Reset-Off-On)
	PHASE II
VA-SW-002	Universal Key Cylinder with Bezel PH 2, 3 Position, 2 Key pull, (Off-Hold-On)
	2 POSITION
VA-SW-003	Universal Key Cylinder with Bezel 2 Position, 2 Key pull, (Off-On)
VA-SW-SPECIAL	VA Fire Service Universal, specify markings, key pull and key position, SEE ORDER FORM pg. 19



VASW Type Drill Detail (1-5/32")
 *Not required but desired
 Shown @ 12



HAUGHTON KEY SWITCH SERIES

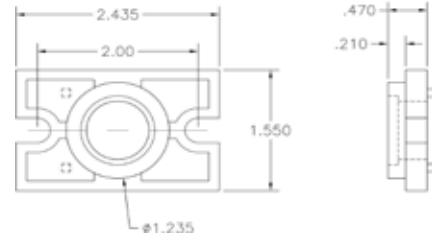
ITEM #	DESCRIPTION
	PHASE I
VA-HT-001H	VA Fire Service, Haughton, Horizontal, PH 1, 3 Position, Removable 2 (Bypass-Off-On)
VA-HT-001V	VA Fire Service, Haughton, Vertical, PH 1, 3 Position, Removable 2, (Bypass-Off-On)
	PHASE II
VA-HT-002H	VA Fire Service, Haughton, Horizontal, PH 2, 3 Position, Removable 2, (Off-Hold-On)
LA-HT-002V	VA Fire Service, Haughton, Vertical, PH 2, 3 Position, Removable 2, (Off-Hold-On)
	2 POSITION
VA-HT-003H	VA Fire Service, Haughton, Horizontal, 2 Position, Removable 2, (Off-On)
VA-HT-003V	VA Fire Service, Haughton, Vertical, 2 Position, Removable 2, (Off-On)
VA-HT-SPECIAL	VA Fire Service Haughton, specify markings, key pull and key position, SEE ORDER FORM pg. 19



DOVER TRADITIONAL KEY SWITCH SERIES

ITEM #	DESCRIPTION
	PHASE I
VA-TR-001H	VA Fire Service, Traditional, Horizontal, PH 1, 3 Position, Removable 2, (Bypass-Off-On)
VA-TR-001V	VA Fire Service, Traditional, Vertical, PH 1, 3 Position, Removable 2, (Bypass-Off-On)
VA-TR-001HR	VA Fire Service, Traditional, Horizontal, PH 1, 3 Position, Removable 2, (Reset-Off-On)
VA-TR-001VR	VA Fire Service, Traditional, Vertical, PH 1, 3 Position, Removable 2, (Reset-Off-On)
	PHASE II
VA-TR-002H	VA Fire Service, Traditional, Horizontal, PH 2, 3 Position, Removable 2, (Off-Hold-On)
VA-TR-002V	VA Fire Service, Traditional, Vertical, PH 2, 3 Position, Removable 2, (Off-Hold-On)
	2 POSITION
VA-TR-003H	VA Fire Service, Traditional, Horizontal, 2 Position, Removable 2, (Off-On)
VA-TR-003V	VA Fire Service, Traditional, Vertical, 2 Position, Removable 2, (Off-On)
VA-TR-SPECIAL	VA Fire Service Dover Traditional, specify markings, key pull and key position, SEE ORDER FORM pg.19

VA-TR-001H



VA-TR-003H



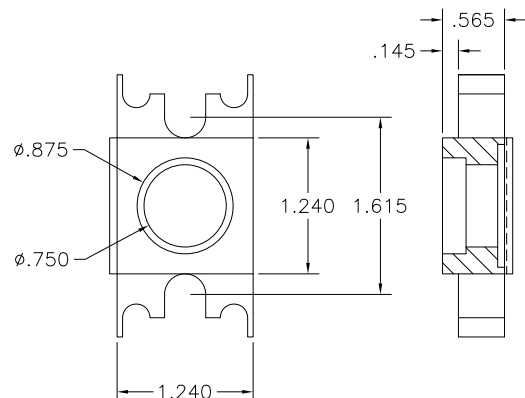
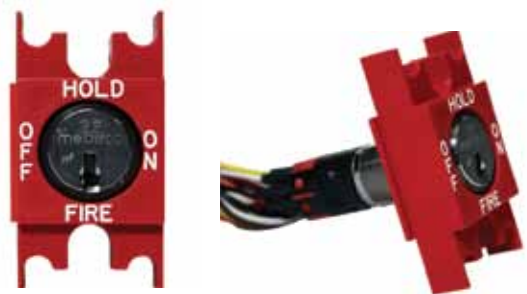
DOVER IMPULSE SQUARE KEY SWITCH SERIES

ITEM #	DESCRIPTION
	PHASE I
VA-IMS-001H	VA Fire Service, Impulse Square, Horizontal, PH 1, 3 Position, Removable 2, (Bypass-Off-On)
VA-IMS-001V	VA Fire Service, Impulse Square, Vertical, PH 1, 3 Position, Removable 2, (Bypass-Off-On)
VA-IMS-001HR	VA Fire Service, Impulse Square, Horizontal, PH 1, 3 Position, Removable 2, (Reset-Off-On)
VA-IMS-001VR	VA Fire Service, Impulse Square, Vertical, PH 1, 3 Position, Removable 2, (Reset-Off-On)
	PHASE II
VA-IMS-002H	VA Fire Service, Impulse Square, Horizontal, PH 2, 3 Position, Removable 2, (Off-Hold-On)
VA-IMS-002V	VA Fire Service, Impulse Square, Vertical, PH 2, 3 Position, Removable 2, (Off-Hold-On)
	2 POSITION
VA-IMS-003H	VA Fire Service, Impulse Square, Horizontal, 2 Position, Removable 2, (Off-On)
VA-IMS-003V	VA Fire Service, Impulse Square, Vertical, 2 Position, Removable 2, (Off-On)
VA-IMS-SPECIAL	VA Fire Service Dover Impulse Square, specify markings, key pull and key position, SEE ORDER FORM pg. 19

VA-IMS-001H



VA-IMS-002V



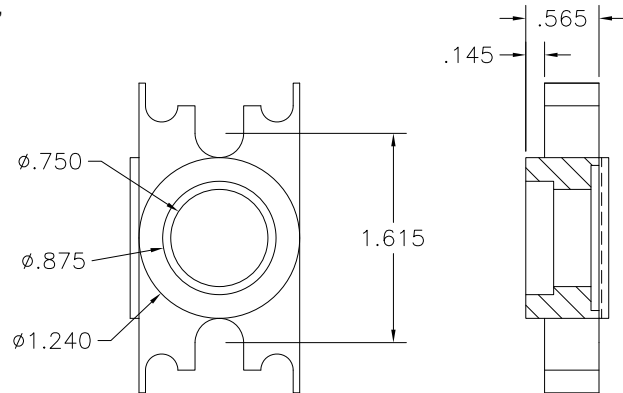
DOVER IMPULSE ROUND KEY SWITCH SERIES

ITEM #	DESCRIPTION
PHASE I	
VA-IMR-001H	VA Fire Service, Impulse Round, Horizontal, PH 1, 3 Position, Removable 2, (Bypass-Off-On)
VA-IMR-001V	VA Fire Service, Impulse Round, Vertical, PH 1, 3 Position, Removable 2, (Bypass-Off-On)
VA-IMR-001HR	VA Fire Service, Impulse Round, Horizontal, PH 1, 3 Position, Removable 2, (Reset-Off-On)
VA-IMR-001VR	VA Fire Service, Impulse Round, Vertical, PH 1, 3 Position, Removable 2, (Reset-Off-On)
PHASE II	
VA-IMR-002H	VA Fire Service, Impulse Round, Horizontal, PH 2, 3 Position, Removable 2, (Off-Hold-On)
VA-IMR-002V	VA Fire Service, Impulse Round, Vertical, PH 2, 3 Position, Removable 2, (Off-Hold-On)
2 POSITION	
VA-IMR-003H	VA Fire Service, Impulse Round, Horizontal, 2 Position, Removable 2, (Off-On)
VA-IMR-003V	VA Fire Service, Impulse Round, Vertical, 2 Position, Removable 2, (Off-On)
VA-IMR-SPECIAL	VA Fire Service Dover Impulse Round, specify markings, key pull and key position, SEE ORDER FORM pg. 19

VA-IMR-001H



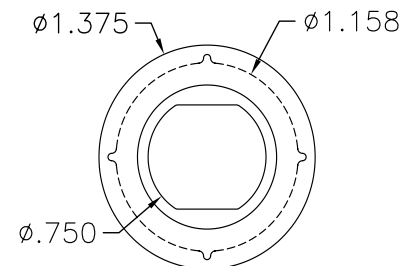
VA-IMR-002V



DOVER AURORA KEY SWITCH SERIES

ITEM #	DESCRIPTION
PHASE I	
VA-AU-001	VA Fire Service, Aurora PH 1, 3 Position, Removable 2, (Bypass-Off-On)
VA-AU-001R	VA Fire Service, Aurora PH 1, 3 Position, Removable 2, (Reset-Off-On)
PHASE II	
VA-AU-002	VA Fire Service, Aurora PH 2, 3 Position, Removable 2, (Off-Hold-On)
2 POSITION	
VA-AU-003	VA Fire Service, Aurora 2 Position, Removable 2, (Off-On)
VA-AU-SPECIAL	VA Fire Service Dover Aurora, specify markings, key pull and key position, SEE ORDER FORM pg.19

VA-AU-002



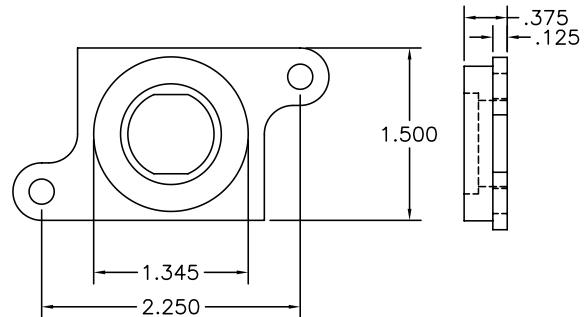
OTIS KEY SWITCH SERIES

ITEM #	DESCRIPTION
	<u>PHASE I</u>
VA-OB-001	VA Fire Service, Otis M1 PH 1, 3 Position, Removable 2, (Bypass-Off-On)
VA-OB-001R	VA Fire Service, Otis M1 PH 1, 3 Position, Removable 2, (Reset-Off-On)
	<u>PHASE I</u>
VA-OB-002	VA Fire Service, Otis M1 PH 2, 3 Position, Removable 2, (Off-Hold-On)
	<u>2 POSITION</u>
VA-OB-003	VA Fire Service, Otis M1, 2 Position, Removable 2, (Off-On)
VA-OB-SPECIAL	VA Fire Service Otis, specify markings, key pull and key position, SEE ORDER FORM pg. 19



WESTINGHOUSE KEY SWITCH SERIES

ITEM #	DESCRIPTION
	<u>PHASE I</u>
VA-WB-001	VA Fire Service, Westinghouse PH 1, 3 Position, Removable 2, (Bypass-Off-On)
VA-WB-001R	VA Fire Service, Westinghouse PH 1, 3 Position, Removable 2, (Reset-Off-On)
	<u>PHASE II</u>
VA-WB-002	VA Fire Service, Westinghouse PH 2, 3 Position, Removable 2, (Off-Hold-On)
	<u>2 POSITION</u>
VA-WB-003	VA Fire Service, Westinghouse, 2 Position, Removable 2, (Off-On)
VA-WB-SPECIAL	VA Fire Service Westinghouse, specify markings, key pull and key position, SEE ORDER FORM pg. 19



The **SEES VIRGINIA FIRE SERVICE SPECIAL ORDER FORM** is only used when ordering items not listed in this catalog.

*Please see pg.19 for more information or contact a SEES Customer Service Representative 800.526.0026.

INNOVATION ROUND KEY SWITCH SERIES

ITEM #	DESCRIPTION
--------	-------------

* Each key switch can mount horizontal or vertical (both brackets provided)

PHASE I

VA-INR-001 VA Fire Service, Innovation Round PH 1, 3 Position, Removable 2, (Bypass-Off-On)

VA-INR-001R VA Fire Service, Innovation Round PH 1, 3 Position, Removable 2, (Reset-Off-On)

PHASE I

VA-INR-002 VA Fire Service, Innovation Round PH 2, 3 Position, Removable 2, (Off-Hold-On)

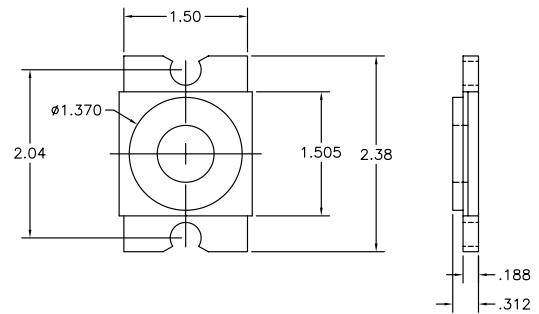
2 POSITION

VA-INR-003 VA Fire Service, Innovation Round, 2 Position, Removable 2, (Off-On)

VA-INR-SPECIAL VA Fire Service Innovation Round, specify markings, key pull and key position, SEE ORDER FORM pg.19

**Innovation key switches will fit most EPCO applications*

VA-INR-002



INNOVATION SQUARE KEY SWITCH SERIES

ITEM #	DESCRIPTION
--------	-------------

* Each key switch can mount horizontal or vertical (both brackets provided)

PHASE I

VA-INS-001 VA Fire Service, Innovation Square PH 1, 3 Position, Removable 2, (Bypass-Off-On)

VA-INS-001R VA Fire Service Innovation Square PH 1, 3 Position, Removable 2, (Reset-Off-On)

PHASE II

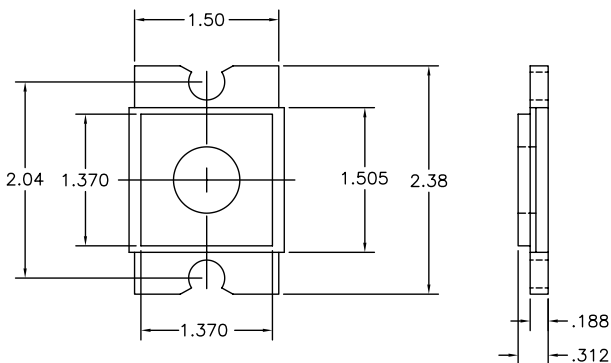
VA-INS-002 VA Fire Service, Innovation Square PH 2, 3 Position, Removable 2, (Off-Hold-On)

2 POSITION

VA-INS-003 VA Fire Service, Innovation Square, 2 Position, Removable 2, (Off-On)

VA-INS-SPECIAL VA Fire Service Innovation Square, specify markings, key pull and key position, SEE ORDER FORM pg.19

VA-INS-001R

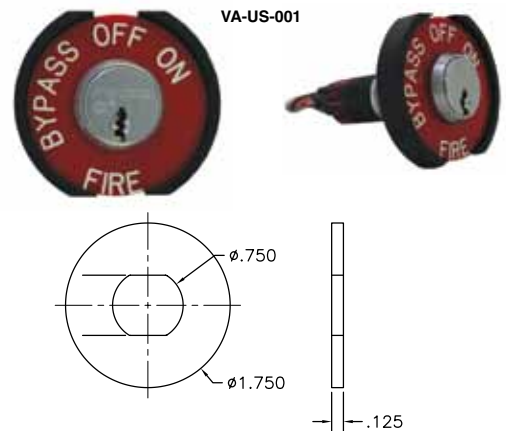


US KEY SWITCH SERIES

ITEM #	DESCRIPTION
--------	-------------

**Use VA-US-003 for 2 Position, 2 Key Pull*

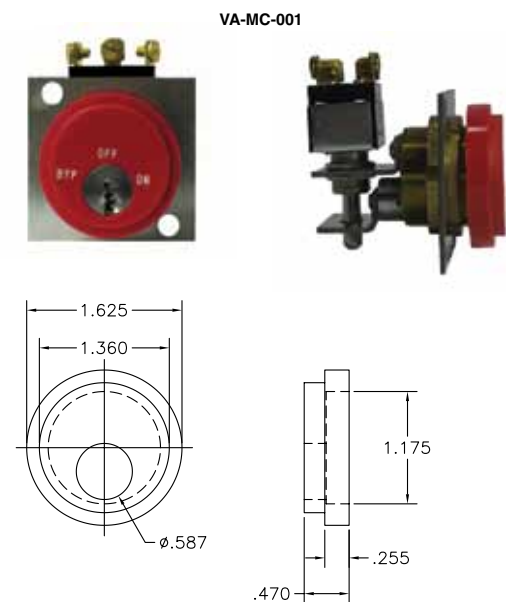
PHASE I	
VA-US-001	VA Fire Service, US PH 1, 3 Position, Removable 2, (Bypass-Off-On)
VA-US-001R	VA Fire Service, US PH 1, 3 Position, Removable 2, (Reset-Off-On)
PHASE II	
VA-US-002	VA Fire Service, US PH 2, 3 Position, Removable 2, (Off-Hold-On)
2 POSITION	
VA-US-003	VA Fire Service, US, 2 Position, Removable 2, (Off-On)
VA-US-SPECIAL	VA Fire Service US, specify markings, key pull and key position, SEE ORDER FORM pg. 19



MONITOR CONTROL KEY SWITCH SERIES

ITEM #	DESCRIPTION
--------	-------------

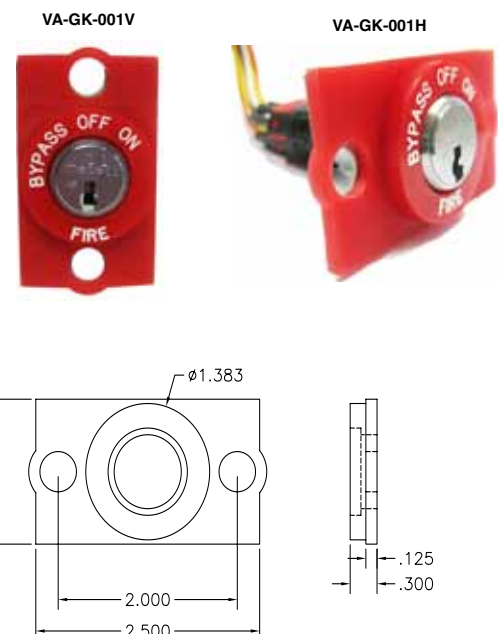
PHASE I	
VA-MC-001	VA Fire Service, Monitor Control PH 1, 3 Position, 2 Key pull, (Bypass-Off-On)
VA-MC-001R	VA Fire Service, Monitor Control PH 1, 3 Position, 2 Key pull, (Reset-Off-On)
PHASE II	
VA-MC-002	VA Fire Service, Monitor Control PH 2, 3 Position, 2 Key pull, (Off-Hold-On)
2 POSITION	
VA-MC-003	VA Fire Service, Monitor Control, 2 Position, 2 Key pull, (Off-On)
VA-MC-SPECIAL	VA Fire Service Monitor Control, specify markings, key pull and key position, SEE ORDER FORM pg. 19



GAL KEY SWITCH SERIES

ITEM #	DESCRIPTION
--------	-------------

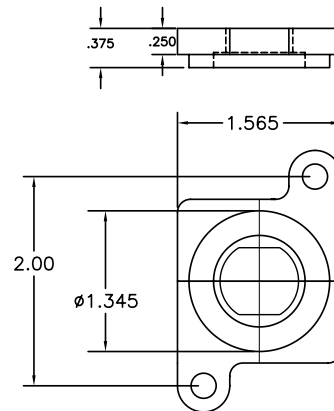
PHASE I	
VA-GK-001H	VA Fire Service, GAL, Round, Horizontal PH 1, 3 Position, Removable 2, (Bypass-Off-On)
VA-GK-001V	VA Fire Service, GAL, Round, Vertical PH 1, 3 Position, Removable 2, (Bypass-Off-On)
VA-GK-001HR	VA Fire Service, GAL, Round, Horizontal PH 1, 3 Position, Removable 2, (Reset-Off-On)
VA-GK-001VR	VA Fire Service, GAL, Round, Vertical PH 1, 3 Position, Removable 2, (Reset-Off-On)
PHASE II	
VA-GK-002H	VA Fire Service, GAL, Round, Horizontal PH 2, 3 Position, Removable 2, (Off-Hold-On)
VA-GK-002V	VA Fire Service, GAL, Round, Vertical PH 2, 3 Position, Removable 2, (Off-Hold-On)
2 POSITION	
VA-GK-003H	VA Fire Service, GAL, Round, Horizontal, 2 Position, Removable 2, (Off-On)
VA-GK-003V	VA Fire Service, GAL, Round, Vertical, 2 Position, Removable 2, (Off-On)
VA-GK-SPECIAL	VA Fire Service GAL, specify markings, key pull and key position, SEE ORDER FORM pg. 19



ADAMS SURVIVOR ROUND KEY SWITCH SERIES

ITEM #	DESCRIPTION
	<u>PHASE I</u>
VA-AD-001	VA Fire Service, Adams Round PH 1, 3 Position, Removable 2, (Bypass-Off-On)
VA-AD-001R	VA Fire Service, Adams Round PH 1, 3 Position, Removable 2, (Reset-Off-On)
	<u>PHASE II</u>
VA-AD-002	VA Fire Service, Adams Round PH 2, 3 Position, Removable 2, (Off-Hold-On)
	<u>2 POSITION</u>
VA-AD-003	VA Fire Service, Adams Round, 2 Position, Removable 2, (Off-On)
VA-AD-SPECIAL	VA Fire Service Adams Survivor Round, specify markings, key pull and key position, SEE ORDER FORM pg.19

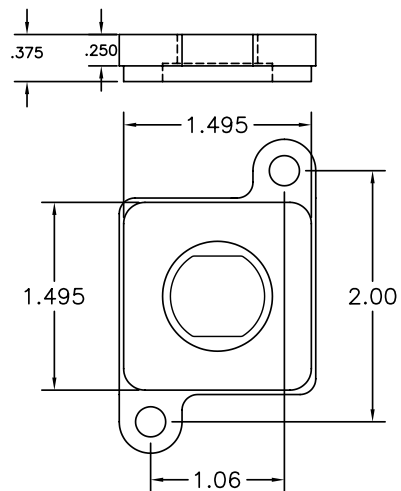
VA-AD-001



ADAMS SURVIVOR SQUARE KEY SWITCH SERIES

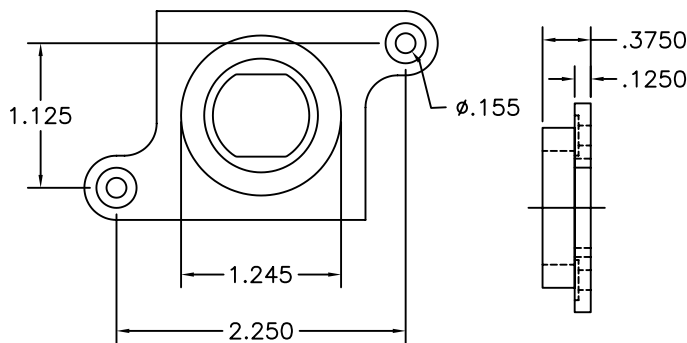
ITEM #	DESCRIPTION
	<u>PHASE I</u>
VA-ADS-001	VA Fire Service, Adams Square PH 1, 3 Position, Removable 2, (Bypass-Off-On)
VA-ADS-001R	VA Fire Service, Adams Square PH 1, 3 Position, Removable 2, (Reset-Off-On)
	<u>PHASE II</u>
VA-ADS-002	VA Fire Service, Adams Square PH 2, 3 Position, Removable 2, (Off-Hold-On)
	<u>2 POSITION</u>
VA-ADS-003	VA Fire Service, Adams Square, 2 Position, Removable 2, (Off-On)
VA-ADS-SPECIAL	VA Fire Service Adams Survivor Square, specify markings, key pull and key position, SEE ORDER FORM pg.19

VA-ADS-002



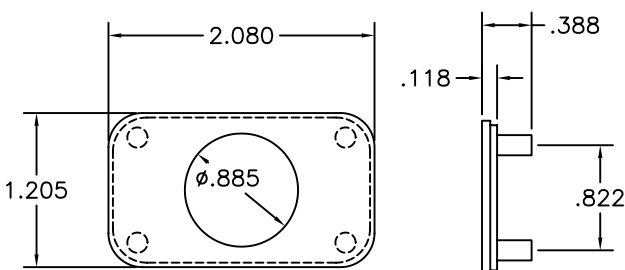
PAYNE KEY SWITCH SERIES

ITEM #	DESCRIPTION
PHASE I	
VA-PN-001	VA Fire Service, Payne PH 1, 3 Position, Removable 2, (Bypass-Off-On)
VA-PN-001R	VA Fire Service, Payne PH 1, 3 Position, Removable 2, (Reset-Off-On)
PHASE II	
VA-PN-002	VA Fire Service, Payne PH 2, 3 Position, Removable 2, (Off-Hold-On)
2 POSITION	
VA-PN-003	VA Fire Service, Payne, 2 Position, Removable 2, (Off-On)
VA-PN-SPECIAL	VA Fire Service Payne, specify markings, key pull and key position, SEE ORDER FORM pg. 19



KONE LEGEND KEY SWITCH SERIES

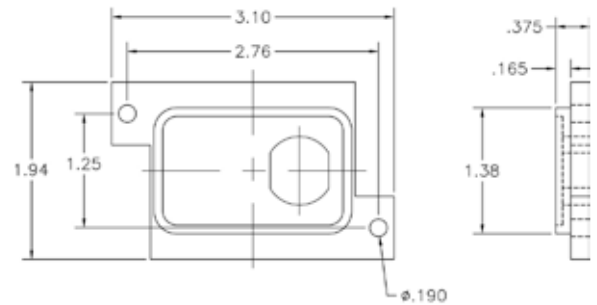
ITEM #	DESCRIPTION
PHASE I	
VA-KN-001	VA Fire Service, Kone PH 1, 3 Position, Removable 2, (Bypass-Off-On)
VA-KN-001R	VA Fire Service, Kone PH 1, 3 Position, Removable 2, (Reset-Off-On)
PHASE II	
VA-KN-002	VA Fire Service, Kone PH 2, 3 Position, Removable 2, (Off-Hold-On)
2 POSITION	
VA-KN-003	VA Fire Service, Kone, 2 Position, Removable 2, (Off-On)
VA-KN-SPECIAL	VA Fire Service Kone Legend, specify markings, key pull and key position, SEE ORDER FORM pg.19



SCHINDLER CT KEY SWITCH SERIES

ITEM #	DESCRIPTION
	<u>PHASE I</u>
VA-SCH-001	VA Fire Service, Schindler CT PH 1, 3 Position, Removable 2, (Bypass-Off-On)
VA-SCH-001R	VA Fire Service, Schindler CT PH 1, 3 Position, Removable 2, (Reset-Off-On)
	<u>PHASE II</u>
VA-SCH-002	VA Fire Service, Schindler CT PH 2, 3 Position, Removable 2, (Off-Hold-On)
	<u>2 POSITION</u>
VA-SCH-003	VA Fire Service, Schindler CT, 2 Position, Removable 2, (Off-On)
VA-SCH-SPECIAL	VA Fire Service Schindler CT, specify markings, key pull and key position, SEE ORDER FORM pg.19

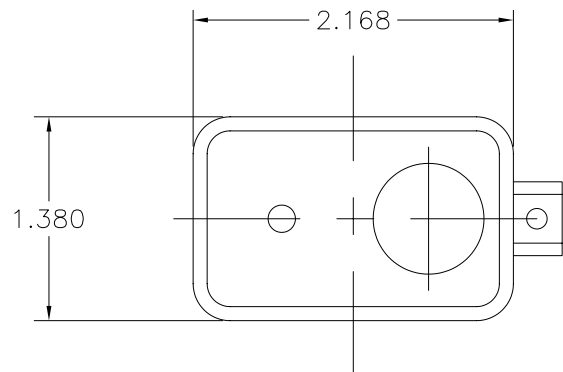
VA-SCH-001



SCHINDLER MTA KEY SWITCH SERIES

ITEM #	DESCRIPTION
	<u>PHASE I</u>
VA-SCK-001	VA Fire Service, Schindler MTA PH 1, 3 Position, Removable 2, (Bypass-Off-On)
VA-SCK-001R	VA Fire Service, Schindler MTA PH 1, 3 Position, Removable 2, (Reset-Off-On)
	<u>PHASE II</u>
VA-SCK-002	VA Fire Service, Schindler MTA PH 2, 3 Position, Removable 2, (Off-Hold-On)
	<u>2 POSITION</u>
VA-SCK-003	VA Fire Service, Schindler MTA, 2 Position, Removable 2, (Off-On)
VA-SCK-SPECIAL	VA Fire Service Schindler MTA, specify markings, key pull and key position, SEE ORDER FORM pg.19

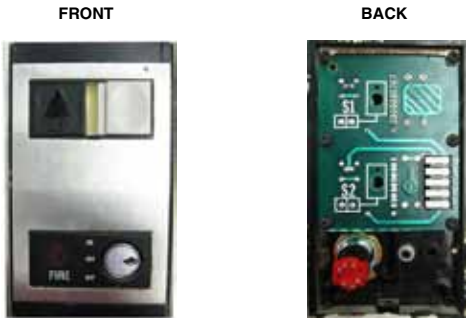
VA-SCK-002



SOLUTIONS

Use the VA-KS series 3/4" Cylinder to retrofit the fixtures below.
EXAMPLES WITH PHOTOS SHOWN BELOW:

KONE VECTOR

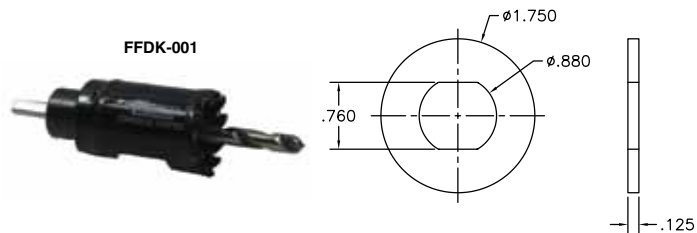
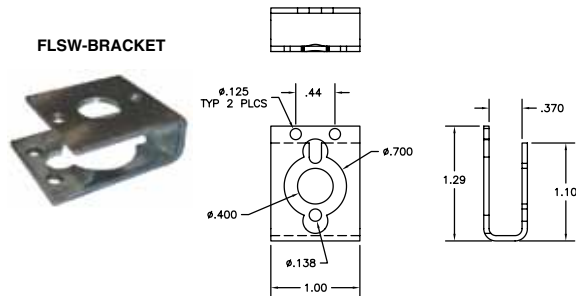


OTIS M3



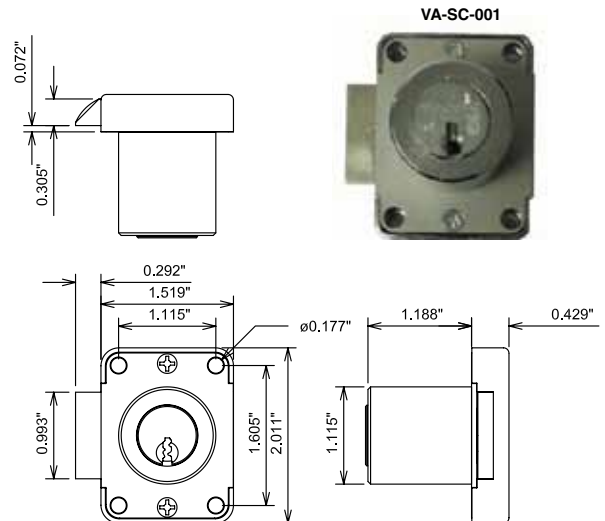
MISCELLANEOUS

ITEM #	DESCRIPTION
FLSW-BRACKET	Bracket for VA Fire Service PHI & PHII Key Cylinders
FLSW-SWITCH	Rotary switch for VA Fire Service Key PHI & PHII 45 deg 1P3T
FLSW-SWITCH-D	Rotary switch for VA Fire Service Key PHI & PHII 45 deg 2P3T
FFDK-001	VA Fire Service Drill Kit Key Cylinder Stainless Steel Hole Saw
VA-EP-001	VA Fire Service Emergency Power Key Switch 8 Position, 8 Key Pull



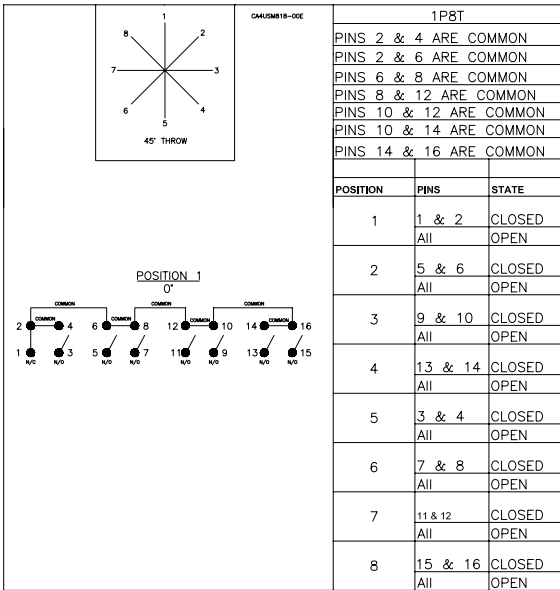
LATCHING CYLINDER FOR CABINET

ITEM #	DESCRIPTION
VA-SC-001	VA Fire Service Latching Cylinder for Cabinet

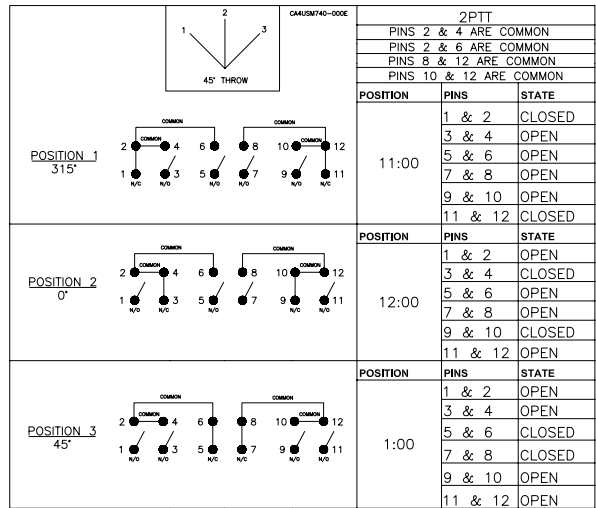


CONFIGURATION DIAGRAMS

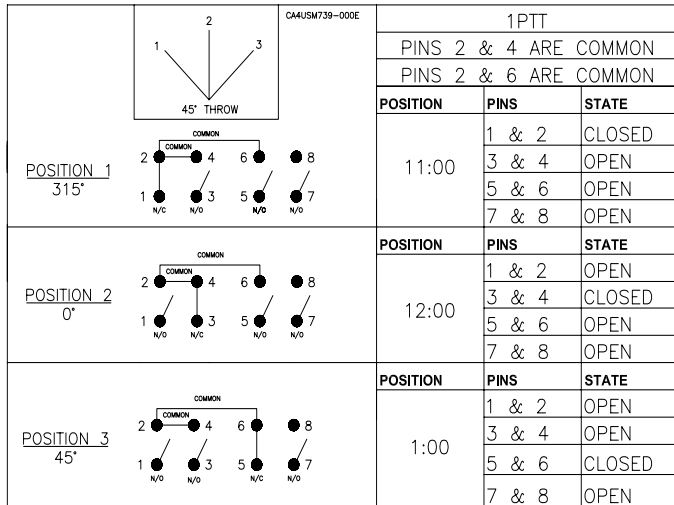
VA-EP-001



FLSW-SWITCH-D



FLSW-SWITCH



VA-EP-001



FLSW-SWITCH-D

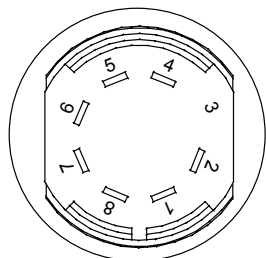


FLSW-SWITCH



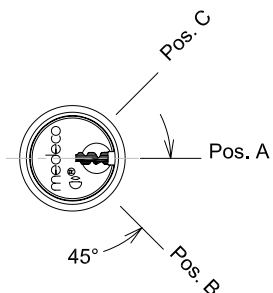
WIRING CONFIGURATION (For VA-KS Series)

Part Number	Key Positions	Key Removal	Terminals Connected		
			A	B	C
VA-KS1	A, B, C	A, B	1-8, 4-5	1-2, 5-6	3-4, 7-8
VA-KS2	A, B, C	A, C	1-8, 4-5	1-2, 5-6	3-4, 7-8
VA-KS3	A, B, C	A, B, C	1-8, 4-5	1-2, 5-6	3-4, 7-8
VA-KS4	A, B	A, B	1-8, 4-5	1-2, 5-6	-



WIRING CONFIGURATION

PIN #	COLOR	PIN #	COLOR
1	Black	5	Red
2	White	6	Brown
3	Yellow	7	Yellow with Black Stripe
4	Orange	8	Orange with Black Stripe



SEESCREEN AUTOMATICALLY ADJUSTS TO OPERATING CONDITIONS AND ALIGNMENT CHANGES



CALL FOR MORE INFORMATION 1-800-526-0026 | www.SEEInc.com



PLUG CLOSE UP

SEES-SCREEN-001



SEES-SCREEN-003D

*INCLUDES MOUNTING HARDWARE AND BRACKETS

The Enforcer

Door Gibs. Redefined.

SAFETY FIRST... BUILT TO LAST

- SAFETY:** Limits liability due to door failure
- DURABILITY:** Less call backs, reduce door damage
- SAVINGS:** Reduce service calls with fewer gib replacement/door alignment.
- PATENT PENDING

CAN HANDLE OVER 18,000 lb OF FORCE!



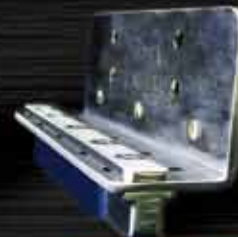
SEES-ENFORCER-001
7/16"



SEES-ENFORCER-002
15/32"



SEES-ENFORCER-003
1/2"



SEES-ENFORCER-004
17/32"



SOUTHERN ELEVATOR & ELECTRIC SUPPLY

THE SEES RESTRICTOR

**FAST & EASY INSTALLATION
PROVIDES LOWEST COST SOLUTION
FITS ALL DOOR SYSTEMS**



PART# SEES-RESTRICTOR-003
(FLAG SMALL ADJUSTABLE 1.25"-2")



PART# SEES-RESTRICTOR-004
(FLAG LARGE ADJUSTABLE 2"-2.875")



PART# SEES-RESTRICTOR-006
(FLAG FIXED 1" LENGTH)



PART# SEES-RESTRICTOR-007
(FLAG FIXED 3" LENGTH)



No Maintenance!
No Repairs!
No Call Backs!

No field modifications needed.
All mounting hardware included.

DO IT RIGHT THE FIRST TIME

"THE REQUIREMENTS FOR DOOR RESTRICTORS WAS IMPLEMENTED TO PREVENT PASSENGERS FROM FALLING INTO AN OPEN HOISTWAY UNDERNEATH THE ELEVATOR PLATFORM WHILE TRYING TO EVACUATE FROM AN ELEVATOR THAT IS STUCK BETWEEN FLOORS."

—AMERICAN SOCIETY OF MECHANICAL ENGINEERS

ELECTRICAL vs. MECHANICAL

Requires electric power & battery back up at all times.	vs.	Works even when power is out.
Coils burn up from continuous use.	vs.	Plastic edging protects wires & cables.
Functionality affected by severe temperatures (hot or cold).	vs.	Works in all types of weather conditions.
Required maintenance on plunger, battery, or PC Boards.	vs.	Maintenance Free!
Many false entrapments & call backs.	vs.	No Call Backs!
High Product Costs.	vs.	Lowest cost solution.

SEES RESTRICTOR: THE PREFERRED MECHANICAL DOOR RESTRICTOR



DAMAGE CONTROL

NEW & IMPROVED PIT FLOOD ALARM

PART# SEES-H2O-ALARM-001 (110 VAC 6" ALARM BELL WITH "SINGLE BARREL" FLOAT SWITCH GUARD)

PART# SEES-H2O-ALARM-002 (110 VAC 6" ALARM BELL WITH AUXILIARY OUTPUT CONTACT & "DOUBLE BARREL" FLOAT SWITCH GUARDS)

THE SEES H₂O ALARM FEATURES STEEL FLOAT SWITCH GUARDS TO PREVENT DAMAGE DURING INSTALLATION OR SERVICE.



"DOUBLE BARREL" FLOAT SWITCH GUARDS



Your Elevator "Life Raft"



Fax completed form and application to **SEES** (*Southern Elevator & Electric Supply*) at 954-917-7337 or call to speak to a customer service representative.

Monday – Friday from 8:00 a.m. to 7:00 p.m. (ET)

You do not need to fill out an application or seek approval to purchase the Key Cylinders, Bezels, or any other miscellaneous parts. The Virginia State Application is required for the keys.

DATE: _____ JOB#: _____ PO#: _____

ACCOUNT#: _____ NAME: _____ PHONE: () _____ EMAIL: _____

REQ. SHIP DATE: _____ ADDRESS: _____ CITY/ STATE: _____ ZIP: _____

PART NUMBER	KEY POSITION	KEY PULL POSITION	ORIENTATION	BEZEL COLOR
<input type="checkbox"/> VA-AU SERIES <input type="checkbox"/> VA-TR SERIES <input type="checkbox"/> VA-IMS SERIES <input type="checkbox"/> VA-IMR SERIES <input type="checkbox"/> VA-OB SERIES <input type="checkbox"/> VA-US SERIES <input type="checkbox"/> VA-WB SERIES <input type="checkbox"/> VA-INR SERIES <input type="checkbox"/> VA-INS SERIES <input type="checkbox"/> VA-MC SERIES <input type="checkbox"/> VA-GK SERIES <input type="checkbox"/> VA-EP SERIES <input type="checkbox"/> VA-AD SERIES <input type="checkbox"/> VA-ADS SERIES <input type="checkbox"/> VA-KN SERIES <input type="checkbox"/> VA-PN SERIES <input type="checkbox"/> VA-SCH SERIES <input type="checkbox"/> VA-SCK SERIES <input type="checkbox"/> VA-UN SERIES	<input type="checkbox"/> 2 POS <input type="checkbox"/> 3 POS <input type="checkbox"/> 8 POS	<input type="checkbox"/> A <input type="checkbox"/> B <input type="checkbox"/> C	<input type="checkbox"/> HORIZONTAL <input type="checkbox"/> VERTICAL	<input type="checkbox"/> RED <input type="checkbox"/> BLACK
			ROUND OR SQUARE	DIAMETER OF THRU HOLE IN PANEL
			<input type="checkbox"/> ROUND <input type="checkbox"/> SQUARE	_____ (in)
			POSITIONS	ENGRAVINGS
			12 O CLOCK	
			2-3 O CLOCK	
			6 O CLOCK	
			9-10 O CLOCK	
			FILL WITH RED or WHITE	<input type="checkbox"/> RED ENGRAVING <input type="checkbox"/> WHITE ENGRAVING
			KEY PULL POSITIONS	STUD MOUNTING DIMENSION AND ORIENTATION
NUMBER OF PIECES _____		12 9 3 6		

SPECIAL ORDERS REQUIRE 1-2 WEEKS TO MANUFACTURE	
SHIPPING SERVICE REQUESTED <input type="checkbox"/> FREIGHT COLLECT UPS <input type="checkbox"/> FREIGHT COLLECT FedEX <input type="checkbox"/> VIA UPS # _____ <input type="checkbox"/> VIA FedEX # _____	<input type="checkbox"/> NDA RED 8:30AM <input type="checkbox"/> NEXT DAY ANYTIME <input type="checkbox"/> 2 DAY <input type="checkbox"/> 3 DAY GROUND
NOTES: _____ _____	

Dear Customer,
 We ask that you agree to our policy regarding non-cancelable and non-returnable products in order to eliminate any misunderstanding. The product listed above falls under this policy and once S.E.E.S. places its order with the manufacturer, this agreement will be binding. The product is non-cancelable and non-returnable regardless of any changes in your requirements. Any allocated quantity which is on our shelves or on order with the factory will be your responsibility. We will make every effort to accommodate changes in your delivery requirements however, once production has begun we may be unable to change delivery dates. All freight charges from the factory will be prepaid and applied to your invoice. S.E.E.S. reserves the right to under or over ship quantities up to 10% on non-cancelable and non-returnable products based on quantities received from the manufacturer.
Please sign and return acknowledging your understanding and agreement to the terms above.

**FIRE SERVICE ELEVATOR KEY
ORDER FORM**

PART I [Please print or type]

APPLICANT NAME: _____

ADDRESS: _____

CITY _____ STATE _____ ZIP _____

PHONE _____ - _____ - _____ FAX _____ - _____ - _____

EMAIL _____

MAILING ADDRESS (If different from above)

ADDRESS: _____

CITY _____ STATE _____ ZIP _____

PART II

I am eligible under ICC Section 607.5.2 to access a standardized fire service key on the following qualification(s)
[please check the appropriate box(es)]:

- 1. Elevator owner or their authorized agent: ownership in a building or employment with an owner required to comply
- 2. Elevator contractor: Active license required to comply. Please provide company information and Contractor License Number below.
- 3. Elevator inspector for the jurisdiction: actively licensed as an elevator inspector
- 4. Fire code official of the jurisdiction: **Please provide name and agency information below**
- 5. Fire department / other emergency response agency as designated by the fire code official: Please provide department information below. Form must be signed by the department Fire Chief.

NOTE: If box 1 is checked, please provide a building address.

Building Address: _____

PART III (Please provide the appropriate information, signatures, and approvals in the space provided below)

I hereby submit this application for the purpose of obtaining Fire Service Elevator Keys in accordance with the ICC Codes Section 607

I further agree and certify that:

- 1. I will not duplicate the elevator key issued pursuant to this application;
- 2. Should I become ineligible to possess a Master Elevator Key in accordance with this application, I will surrender all keys in my possession to the authorized vendor that issued such key(s) or local fire department.

Applicant Signature: _____ Date: ____/____/____

Company / Organization Name _____
or Fire Department

Fire Chief or State _____ Date: ____/____/____
Department Head signature

Contractor License Number _____

Key Order Quantity: _____ For State / Jurisdiction: _____

Note: Please submit a Master Elevator Key Order Form with each key order



ISO 9001:2010



2781 West McNab Rd., Pompano Beach, FL 33069 • 800.526.0026 • www.SEEInc.com

Always Smooth Sailing