



S.E.E.S., Inc.
Southern Elevator & Electric Supply
2781 West McNab Road
Pompano Beach, FL 33069

MIS-DW-T1 & MIS-DW-T2 DOOR WEDGE TOOL INSTRUCTIONS

** This tool is only to be used by professional elevator maintenance/repair or elevator inspectors.

MIS-DW-T1
MIS-DW-T2

Door wedge tool for general use, to block hoistway doors fully opened or almost closed
Door wedge tool for use with doors equipped with fire tabs, to block hoistway doors fully opened or almost closed

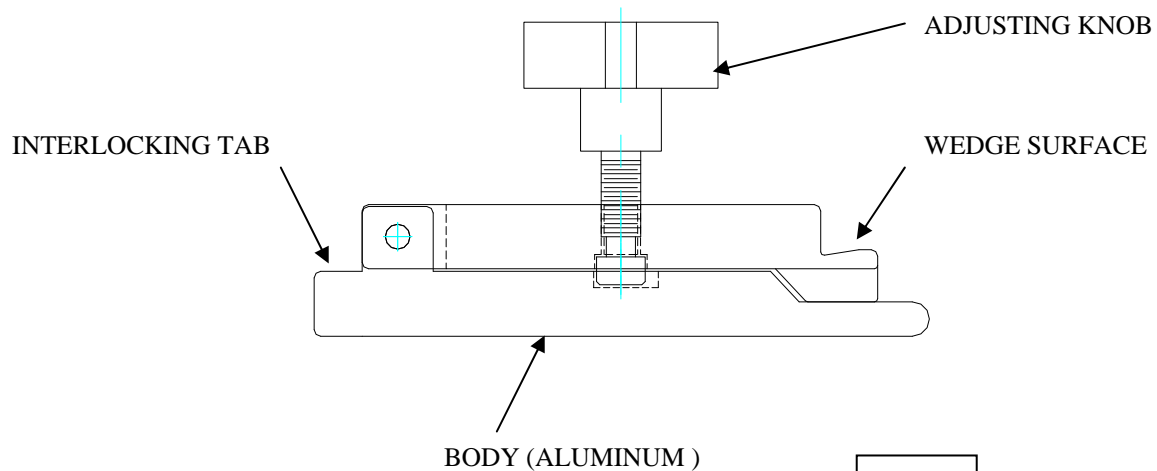


FIG A

WARNING: THIS TOOL MUST BE INSPECTED BEFORE EACH USE. IF THE TOOL IS WORN OR DAMAGED IT MUST BE REPLACED. INJURY OR DAMAGE TO PROPERTY MAY BE CAUSED IF FAILURE TO INSPECT.

HOW TO WEDGE A DOOR AT LEADING EDGE:

1. Slide Tool (see Figure A for orientation) into door gap, with Wedge Surface under leading edge of door.
2. Position door as desired and turn Knob until you reach desired lift force. For center opening doors, slide interlocking tab under opposing door. This will secure the door wedge tool
3. Test door before continuing service.

HOW TO WEDGE A DOOR AT TRAILING EDGE:

1. Slide Tool (see Figure A for orientation) into door gap, with Wedge Surface under trailing edge of door.
2. Position door as desired and turn Knob until you reach desired lift force.
3. Test door before continuing service.

Door wedge tool can be used for single-slide, center-opening, and two spread hoistway doors. The minimum groove is at least 7/16" wide.

For trailing edge use, you may require a temporary block at the leading edge to hold the door until you have secured the door wedge tool. Be sure to remove this tool after proper instalment of door wedge tool.